

Information in conformity to 1999/5/CEE Directives

The product here described is in conformity to the fundamental prescriptions of Directive 1999/5/CEE (R&TTE) on the radio-transmitting devices of low power and on the used of the frequencies of the radio-electrical spectrum, in accordance with the CEPT 70-03 recommendation.

Mark	AVS ELECTRONICS
Model	WING 2 DT
Working frequency	10,525Ghz
Type of supplying: continuous current	continuous current
Nominal tension	12 V ~
Nominal current	38 mA
Countries of the European community where the products can be used:	everywhere except local restrictions
Date:	1 September 2006



AVS ELECTRONICS



DICHIARAZIONE DI CONFORMITÀ

(MANUFACTURERS DECLARATION OF CONFORMITY)



Costruttore (Manufacturer)	AVS ELECTRONICS SPA
Indirizzo (Address)	Via Valsugana, 63 - 35010 Curtarolo (PD) - ITALY

**DICHIARA CHE LA SEGUENTE APPARECCHIATURA
(DECLARES THAT THE FOLLOWING EQUIPMENT)**

Nome dell'Apparecchiatura: (Equipment Name)	WING 2 DT
Tipo di Apparecchiatura (Type of Equipment)	RIVELATORE VOLUMETRICO A DOPPIA TECNOLOGIA (DUAL TECHNOLOGY MOTION DETECTOR)
Modello (Model)	
Anno di Costruzione (Year of Manufacture)	2006

RISULTA CONFORME CON QUANTO PREVISTO DALLE SEGUENTI DIRETTIVE COMUNITARIE:
(IS IN ACCORDANCE WITH THE FOLLOWING COMMUNITY DIRECTIVES)

89 / 336 / EC (EMC)	99 / 05 / EC (R&TTE)
73 / 23 / EC (LVD)	

**E CHE SONO STATE APPLICATE LE SEGUENTI NORMATIVE
(APPLYING THE FOLLOWING NORMS OR STANDARDS)**

EN 300440 - 2	
EN 301 489 - 3	
EN 50130 - 4	
EN 60950	

IDENTIFICATORE DI CLASSE DEL DISPOSITIVO (per apparati RF regolamentati dalla direttiva R&TTE)
(Equipment class identifier (RF products falling under the scope of R&TTE))

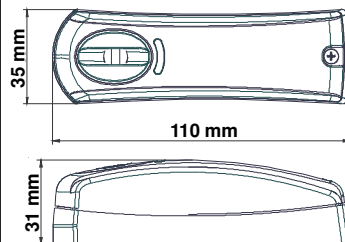
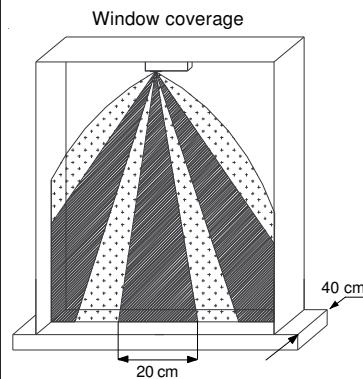
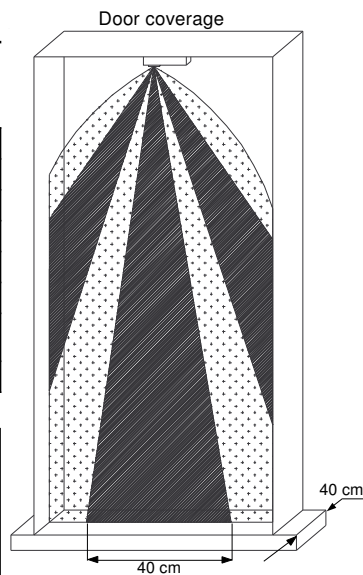
Not Applicable None (class 1 product) (class 2 product)

Il costruttore dichiara sotto la propria responsabilità che questo prodotto è conforme alla direttiva 93/68/EEC (marcatura) e soddisfa i requisiti essenziali e altre prescrizioni rilevanti della direttiva 1999/5/EC (R&TTE) in base ai risultati dei test condotti usando le normative (non) armonizzate in accordo con le Direttive sopracitate.
(We declare under our sole responsibility that this product is in conformity with directive 93/68/EEC (Marking) and/or complies to the essential requirements and all other relevant provisions of the 1999/5/EC (R&TTE) based on test results using (non)harmonized standards in accordance with the Directives mentioned)

Luogo (Place) : Curtarolo

Data (Date) : Settembre 2006 (September 2006)

Firma (Signature)



AVS ELECTRONICS S.p.A.
Via Valsugana, 63
35010 (Padova) ITALY
Tel. 049 9698 411 / Fax. 049 9698 407
avs@avselectronics.com
www.avselectronics.com
Assistenza Tecnica: 049 9698 444
support@avselectronics.com

A COMPANY WITH
CERTIFIED SYSTEM OF QUALITY
ISO9001



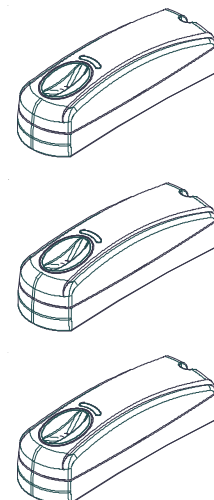
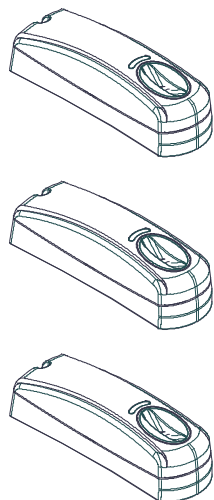
AVS ELECTRONICS
www.avselectronics.com



WING 2 DT
Curtain passive infrared and microwave detector

TECHNICAL FEATURES

Nominal Tension:	12 V ~
Supplying tension:	Max: 15 V ~ Min: 10,5 V ~
Consumption:	24 mA in quiet condition 28 mA in alarm condition 38 mA in anti-masking alarm
Infrared channels:	3 single ones
Coverage:	70° on 4 meters max.
Working conditions:	- 5° C / + 55° C
Anti-masking system:	YES - Active infrared
Temperature compensation:	YES
Type of signal emitted by microwave:	Pulsed
Microwave frequency:	10,525 GHz
Irradiated medium power:	0,4 mW
Irradiated peak power:	10 mW
Weight:	67 g



The product is in conformity to the CE Directives for the electro-magnetic compatibility.



Supplying must come from a very low security tension featuring a limited-power source protected by fuse.

THE INSTALLATION MUST BE EXECUTED BY QUALIFIED PERSONNEL

General Functions

Volumetric, microprocessor, dual-technology detector. The combination of **passive infrared with Fresnel lens** together with **planar microwave**, create a highly-efficient protection against false alarms in critical situations. Furthermore, it is equipped with **anti-masking and temperature-compensation** systems.

First supplying

At first supplying the detector remains blocked for about 1 minute, during which the red alarm led is flashing.

Signal analyse

The microprocessor analyses in constant way the signals coming from the infrared and microwave sections, and makes a comparison with the pre-set parameters. Only when the parameters are valid in the same moment, the alarm relay will activate and the red led will light up.

Temperature Compensation

The detector is equipped with a special device allowing to maintain constant the detection sensitivity of the infrared at the varying of the environmental temperature. In this way the detector will maintain the signal analyse features unvaried

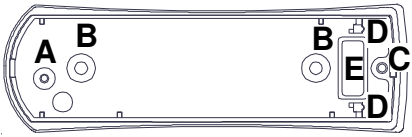
Receiving Channels

For the infrared section, the detector features a lens capable to obtain a max coverage of 4 meters with a detection angle of 70°.

Installation

Install the detector on the top of doors and windows and in the central part of the area to be protected, using a shielded cable with shield connected to negative in the control panel.

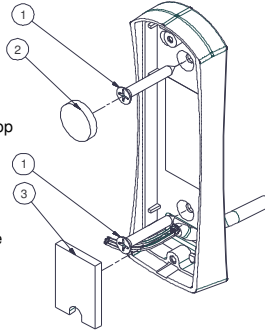
1 - BASE



A	Pin for board fixing
B	Pre-holes for fixing detector to wall
C	Pin for fixing cover
D	Hooks for board-blocking
E	Pre-hole for cable passage

2 - FIXATION OF DETECTOR

- For fixing the base use the screws given within (ref.1)
- Cover the fixing screws on the top using the screw-cover (ref. 2)
- Cover the fixing screw on the bottom as well as the connection cable using the cable-cover (ref. 3)



WORKING

A person crossing a detection channel causes a positive and a negative semi-wave, which is detected and elaborated by the analyse and check circuit. If a movement is detected by the microwave section at the same time, the alarm relay will activate. In rooms with no problem of temperature changes as an indoor passage, an extremely sensitive detection in a short detection time can be obtained. The detection zones of the passive infrared are distributed on one plane in order to identify a narrow coverage area, as a curtain. This feature allows to protect the indoor accesses thus allowing to freely move inside the room.

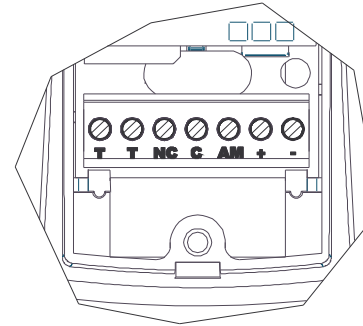
TO AVOID

- Having direct sun rays hitting the sensor
- Hanging and oscillating bodies in the protected area (such as mosquito-curtains)
- Installation of detector outdoor unless protected by a terrace or a closed window-shutter**
- Installation of detector in an area smaller than 8 cm between indoor and outdoor fastenings

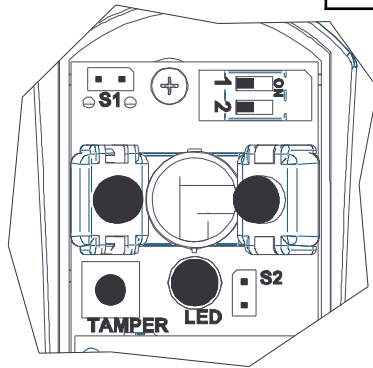
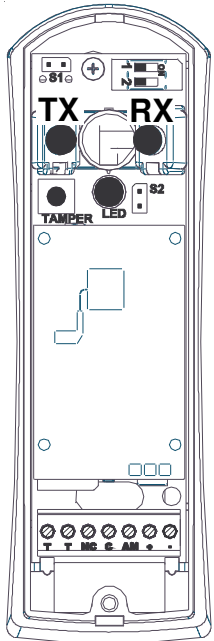
DIP SWITCH

1	ON	It reduces to a half both ranges of infrared and microwave
	OFF	Normal range of both technologies
2	ON	The green led for alarm of microwave only is activated
	OFF	The red led for alarm of both technologies is activated

TERMINAL BOARD



+	Supplying positive 12 V ...
-	Supplying negative
C	Alarm contact of detector with 12 V ... 100 mA range Normally closed with quiet detector
T	Anti-tamper line Normally closed



MULTI-COLOUR LED

Red	Alarm indication of both technologies
Orange	Alarm indication of anti-masking circuit
Green	Alarm indication of microwave only

JUMPER

S1	It will be used in future	
S2	OPEN	Led not enabled
	CLOSED	Led enabled (default)

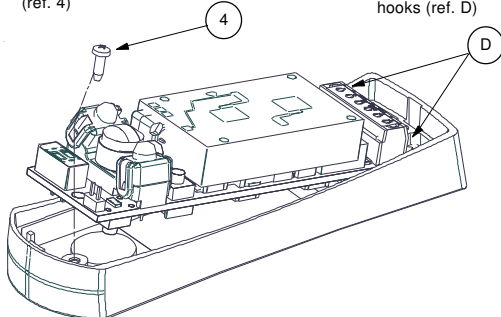
ACCESSORIES GIVEN WITHIN

Ref.	Q.ty	Description
1	2	Screw TSP-C 3,5 x 30 + dowel S4 for fixing the detector
2	1	Screw-cover
3	1	Cable-cover
4	1	Screw for plastic 2,2 x 6 mm. for board-fixing
5	1	Self - threading screw 2,9 x 16 mm for cover closing

3 - FIXATION OF BOARD

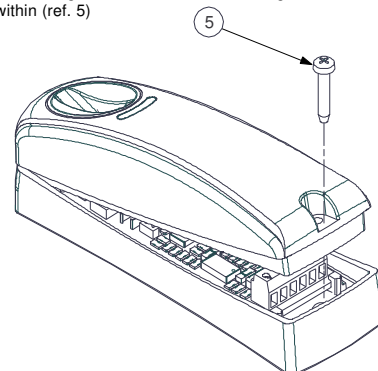
After putting the board in the blocks, fix it to the base by using the screw given within (ref. 4)

Put the board in the two board-block hooks (ref. D)



4 - CLOSING OF DETECTOR

For closing the covers, use the screw given within (ref. 5)



ANTI-MASKING

This detector is equipped with an anti-masking circuit, made of an active infrared RX receiver and TX transmitter, placed on the side of the PIR sensor, detecting any kind of obstacle (adhesive tape, almost all paint) placed in front of the detector up to 10 cm. A possible alarm caused by an attempt of masking the detector, is kept in memory by the orange led and it activates a dedicated AM output giving a transistorized negative when the anti-masking circuit triggers off.

FIRST SUPPLYING:

At the first supplying the anti-masking circuit makes a self-adjusting. **Please check that the cover is duly installed, in order to allow the detector to adjust on the correct value.**

WORKING:

When the detector detects an obstacle at less than 10 cm.. it activates a delay time of about one minute, during which the orange led is flashing. If at the end of this delay the obstacle is still there, the anti-masking output is activated and the orange led will be fix lightened up. Both indications are automatically reset at first alarm of the detector.

Note: this function does not grant anyway against the detector masking

CAUTION

Keep the lens clean from dust or any other filtrating matter which might alter the proper working.