

# DHI-ASC3202B

## Access Controller



### Technical Specification

#### System

Main Processor	Embedded processor
Internet Protocol	P2P; IPv4; DNS; DDNS; TCP; UDP
Interoperability	ONVIF; CGI
SDK and API	Yes

#### Basic

Product Type	Controller
Buzzer	Yes
Casing Material	PC + ABS

#### Function

Unlock Mode	Card; remote; password; fingerprint; Bluetooth; combination unlock
Period List	128 periods
Holiday Period	128 periods
Network Update	Yes
Blocklist/Allowlist	Yes
Peripheral Card Reader	Supports 2 × RS-485 card readers; 2 × Wiegand card readers
Multi-user Authentication	Yes (Use with platform)
Real-time Monitoring	Yes
Multi-factor Authentication	Yes
Web Configuration	Yes

#### User

User (Card) Type	General user, VIP user, guest user, patrol user, blocklist user, and other users
------------------	--

- Built-in Web server, features main and sub control modes.
- The main control mode offers access control Platform functions, can connect with and manage up to 19 sub controllers. The sub-control modes can be added to multiple platforms.
- Supports 1000 users, 3000 fingerprints, 5000 Bluetooth cards and 300,000 records.
- Accesses card readers through Wiegand and RS-485 protocols.
- Supports TCP and IP connection, and standard PoE.
- Supplies power to the lock through its 12 VDC output power supply, which has a maximum output current of 1000 mA.
- Supports configuring the hardware I/O port and exporting configuration diagrams.
- Retains stored data even while powered off.
- Role management.
- Supports multiple advanced access control functions, such as first-person unlock, multi-person unlock, global anti-passback, global multi-door interlock and global external alarm.

#### Capacity

User Capacity	1,000
Fingerprint Capacity	3,000
Card Capacity	5,000
Bluetooth Card Capacity	5,000
Record Capacity	300,000

#### Port

RS-485	3
Wiegand	2 × input
Network Port	1 × RJ-45 10/100 Mbps Ethernet port
Alarm Input	2 (digital quantity)
Alarm Output	2 (digital quantity)
Alarm Linkage	Yes
Exit Button	2
Door Status Detection	2
Lock Control	2

#### Alarm

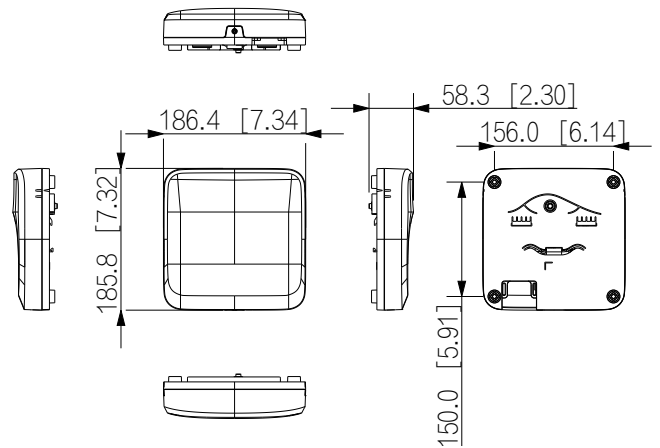
Tamper Alarm	Yes
Duress Alarm	Yes
Door Sensor Timeout	Yes

Intrusion	Yes
Illegal Card Exceeding Threshold	Yes
Duress Fingerprint	Yes

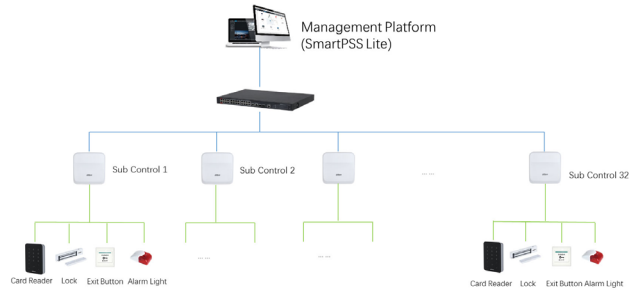
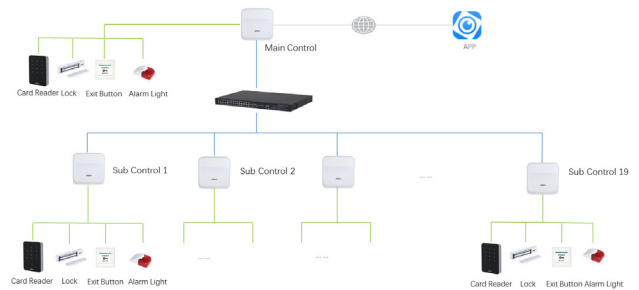
General

Power Supply	Power in: 12V DC or Power over Ethernet IEEE 802.3at Type 2 Class 4
Protection	IK06
Power Consumption	Standby Power (no peripheral devices): $\leq 2$ W Working Power: Total power budget if powered by DC: 1700 mA at 12 V for peripheral devices (locks, readers etc.) Total power budget if powered by PoE: 1200 mA at 12 V for peripheral devices (locks, readers etc.)
Product Dimensions	186.4 mm $\times$ 185.8 mm $\times$ 58.3mm (7.34" $\times$ 7.31" $\times$ 2.30") (L $\times$ W $\times$ H)
Packaging Dimensions	254 mm $\times$ 243 mm $\times$ 86 mm (10.00" $\times$ 9.57" $\times$ 3.39") (L $\times$ W $\times$ H)
Operating Temperature	-10 °C to +55 °C (+14 °F to 131 °F)
Operating Humidity	5%–95% (RH), non-condensing
Operating Environment	Indoor
Gross Weight	0.99 kg (2.18 lb)
Installation	Surface Mount; Guide Rail Mount
Certifications	CE; FCC; UL

Dimensions (mm[inch])



Panels



Ordering Information

Type	Model	Description
Access Controller	DHI-ASC3202B	Dahua Two-door Access Controller B (portable, indoor)