


WALL MOUNTING WATERTIGHT EMERGENCY MODULAR ENCLOSURES **SERIES 64**

MAIN TECHNICAL FEATURES:

- Safety key for door closing.
- Breakable safety glass.
- Galvanized steel DIN rail EN 50022 already assembled in the bottom.
- Self-adhesive label for circuit identification.
- Screw caps to gain double insulation. 
- Available colours : Grey RAL 7035 and red RAL 3000.

CE

GREY RAL 7035

IP65

RED RAL 3000

Wall mounting watertight emergency modular enclosures

ITEM	EXTERNAL DIMENSIONS W x H x D mm	COLOUR	MODULE NUMBER (17,5 mm)	POWER LOSS (Watt) EN 60670-24	PACKAGING PIECES
EC64004	150x170x100	RED	4	10	1/22
EC64008	200x180x100	RED	8	12	1/14
EC64104	150x170x100	GREY	4	10	1/22
EC64108	200x180x100	GREY	8	12	1/14

Hammer with safety chain – Spare glasses

ITEM	DESCRIPTION	FOR ITEM	PACKAGING PIECES
EC64400	Galvanized steel glass hammer with safety chain	EC64004/EC64104/EC64008 EC64108	1
EC64401	Spare glass 4 module enclosure	EC64004/EC64104	10
EC64402	Spare glass 8 module enclosure	EC64008/EC64108	10

Blank plates for 4,5 module enclosures and boards – divisible by 0,5 modules

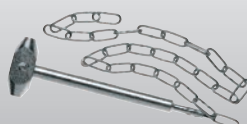
ITEM	DIMENSIONS mm	COLOUR	PACKAGING PIECES
EC600TCR	4,5 moduli DIN EN 50022 - 52x82	RED RAL 3000	25



EC64004



EC64008



EC64400



EC64104



EC64108

BREAKING GLASS EMERGENCY PANEL SERIES 64

MAIN TECHNICAL FEATURES:

- Board with breakable glass for emergency, flush mounting or wall mounting on a 3 module box.
- Suitable for two different settings: automatic (at glass breaking) or manual (after glass breaking).
- Contacts included: 1NO+1NC - 10A - 250V~. • Lid with snap-on fixing without screws, functional sealable frame with supplied screws.
- Location Indicator: possibility to use LED modules (not included) or lamps (not included).
- Integrity indicator (rest condition): possibility to use lamps (not included).
- Shock resistance : IK 08 (up to 5 J). Screw caps to gain double insulation.

CE

IP55

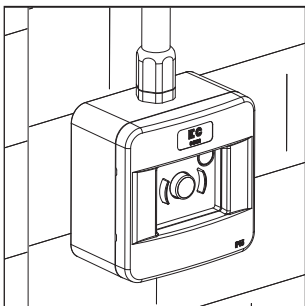
RED RAL 3000

Breaking glass emergency panel

ITEM	EXTERNAL DIMENSIONS W x H x D mm	CONTACT NUMBERS	PACKAGING PIECES
EC64202	118x118x67	1NO + 1NC (10A-250V~)	1

Accessories - spare glass - lamps

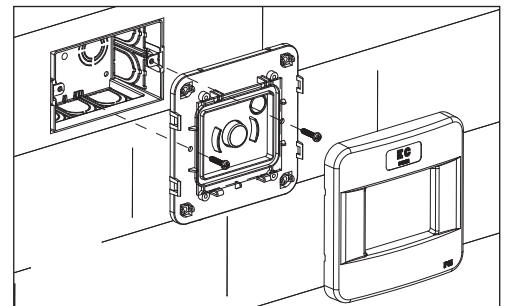
ITEM	DESCRIPTION	PACKAGING PIECES
EC64400	Galvanized steel glass hammer with safety chain	1
EC64403	Spare glass dim. 78x76x1,85 mm	10
EC64410	Spare contact NC red	10
EC64411	Spare contact NO green	10
EC64420	Lamp holder with LED - AC/DC 12V - white light	10
EC64421	Lamp holder with LED - AC/DC 24V - white light	10
EC64422	Lamp holder with LED - AC/DC 48V - white light	10
EC64423	Lamp holder with LED - AC/DC 110V - white light	10
EC64424	Lamp holder with LED - AC 220V - white light	10
ECL4000LN	Lamp holder NEON AC 220V - blue light	10
ECL4000LD	Lamp holder LED AC 220V - blue light	10



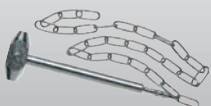
Wall installation



EC64202



Flush mounting on
83,5 mm centre hole
device box



EC64400



EC64410



EC64411



EC64420



ECL4000LN



ECL4000LD