

## 5 CONNECT PIE-1 TO THE RLS UNIT

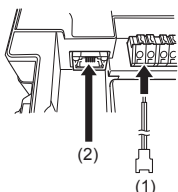
**Note>>** Use a switch or hub conforming to IEEE802at type2.

### Step 1

(1) Using a screwdriver, remove the cover from the RLS main unit.

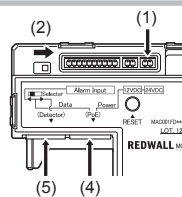
### Step 2

- (1) Plug the power 2-pin cable to the RLS main unit.
- (2) Plug the CAT5 cable to Ethernet connector of the RLS main unit.



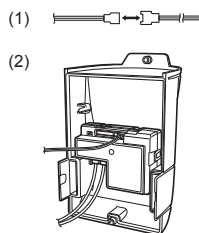
### Step 3

- (1) Plug the power 2-pin cable to PIE-1. Use the 24VDC connector.
- (2) Set the Selector switch of PIE-1 to the right.
- (3) Lead a CAT5e cable from the switching hub into the RLS main unit through a hole on its bottom.
- (4) Plug the CAT5e cable to the Ethernet connector for PoE of PIE-1.
- (5) Plug the CAT5 cable, already connected to the RLS main unit (Step 2(2)), to the Ethernet connector for detector of PIE-1.



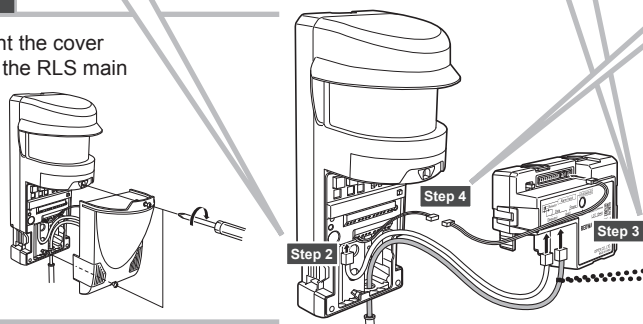
### Step 4

- (1) Connect the power cables.
- (2) Place PIE-1 into the cover.



### Step 5

- (1) Mount the cover onto the RLS main unit.



### Note>>

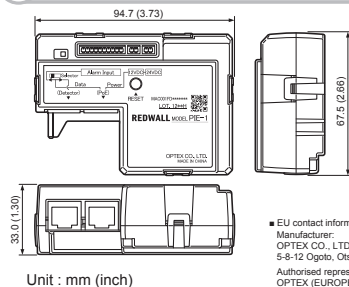
When use REDSCAN series, use CAT5e or greater cable between the PIE-1 unit and the PoE Hub.  
\*Required power less than 25.5W, can use the PoE Plus Hub.

## 6 SPECIFICATIONS

<b>Power supply</b>	PoE* (IEEE 802.3af / at compliant)
<b>Power output</b>	24 VDC [ -40 to 0°C 800 mA max 0 to 30°C 700 mA max 30 to 60°C 400 mA max 60 to 80°C 50 mA max ] 12 VDC [ -40 to 60°C 400 mA max 60 to 80°C 50 mA max ]
<b>Signal input</b>	5 input for dry contacts (N.C. only)
<b>Place of use</b>	Outdoor (Inside of the waterproof case)
<b>Alarm output</b>	Redwall event code (UDP/TCP)
<b>Operating temperature</b>	-40 to +60°C (-40 to +140°F)
<b>Operating humidity</b>	95% RH. max
<b>Operation LED (Normal)</b>	Green light is ON when the power is supplied by PoE
<b>Operation LED (When communicating)</b>	Yellow light blinks during communication
<b>Function setting</b>	Use web browser
<b>Dimension</b>	67.5mm x 94.7mm x 33.0mm (2.66" x 3.73" x 1.30")
<b>Weight</b>	270g (8.8 oz.) Including all parts Main unit: 90g (3.2 oz)
<b>Supported protocols</b>	IPv4, ARP, UDP, TCP, ICMP, HTTP
<b>Accessories</b>	Alarm 10-pin cable (26cm), Alarm 6-pin cable (10cm), Alarm 4-pin cable (10cm), Power 2-pin cable (26cm), Power 2-pin cable (10cm), SIP mounting plate for Gang Box, Gasket sheet for Gang Box, No. 6-32 UNC screw (5/8 inch) x 6

\*Required power less than 12.95W, can use the PoE Hub.  
\*Required power less than 25.5W, can use the PoE Plus Hub.  
\*Specifications may be modified without prior notice.

## 7 DIMENSIONS



Unit : mm (inch)

### EU contact information

Manufacturer:  
OPTEX CO., LTD.  
5-8-12 Ogoto, Otsu, Shiga, 520-0101 JAPAN  
Authorised representative in Europe:  
OPTEX (EUROPE) LTD. / EMEA HEADQUARTERS  
Marandaz House 1 Corvallis Park, Clivemont Road,  
Maidenhead, Berkshire, SL6 7BU U.K.

**OPTEX CO., LTD. (JAPAN)**  
URL: <http://www.optex.net>

**OPTEX INC. (U.S.)**  
URL: <http://www.optexamerica.com>

**OPTEX DO BRASIL LTDA. (Brazil)**  
URL: <http://www.optex.net/br/es/sec>

**OPTEX (EUROPE) LTD. / EMEA HQ (U.K.)**  
URL: <http://www.optex-europe.com>

**OPTEX TECHNOLOGIES B.V. (The Netherlands)**  
URL: <http://www.optex.eu>

**OPTEX SECURITY SAS (France)**  
URL: <http://www.optex-security.com>

**OPTEX SECURITY Sp.z o.o. (Poland)**  
URL: <http://www.optex.com.pl>

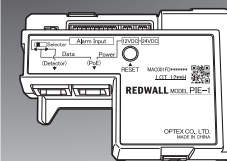
**OPTEX PINNACLE INDIA, PVT., LTD. (India)**  
URL: <http://www.optex.net/in/en/sec>

**OPTEX KOREA CO., LTD. (Korea)**  
URL: <http://www.optexkorea.com>

**OPTEX (DONGGUAN) CO., LTD. SHANGHAI OFFICE (China)**  
URL: <http://www.optexchina.com>

**OPTEX (Thailand) CO., LTD. (Thailand)**  
URL: <http://www.optex.net/th>

Copyright (C) 2017 OPTEX CO., LTD.



PoE IP Encoder  
**PIE-1**

## INSTALLATION INSTRUCTIONS ( for SIP series and RLS series )



### FEATURES

- PIE-1 changes analog relay output signals (N.C.) to original ASCII code.
- PIE-1 can supply power to detector using a PoE hub or switch.

### SAFETY PRECAUTION

- Follow all cautions and instructions in this manual before installation.
- Keep this manual after installation so that you can read when necessary.
- Remember the meanings of "Warning" and "Caution" below to use the product safely.

<b>Warning</b>	If you ignore a warning, the user or other people may be injured or dead.
<b>Caution</b>	If you ignore a caution, the user or other people may be injured or the product or something around it may be damaged.

### Warning

- Do not repair, dismantle or modify the product yourself.
- Do not touch the product with a wet hand.
- Be careful not to damage other interior wiring when installing or wiring the product.
- Power off the product immediately if smoke, odor or strange sound emits from the product.
- Do not install the product in an extremely moist place such as a bathroom or a place where the product may be wet.

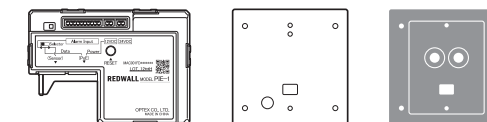
### Caution

- Insert the connectors securely when wiring.

### CE Statement

Warning: This is a class A product. In a domestic environment this product may cause radio interference in which case the user may be required to take adequate measures. (EN 55032)

### 1 PARTS IDENTIFICATION



- Main unit of PIE-1
- SIP mounting plate for Gang Box
- Gasket sheet for Gang Box

- No. 6-32 UNC screw (5/8 inch), 6 pcs



- Alarm 10-pin cable (26cm)



- Alarm 6-pin cable (10cm)



- Alarm 4-pin cable (10cm)



- Power 2-pin cable (26cm)



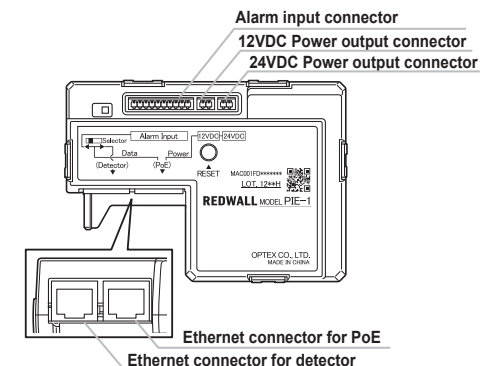
- Power 2-pin cable (10cm)



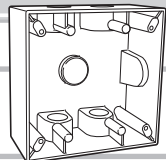
### Caution

- Be sure to use the attached cables.
- Do not use 12V and 24V power sources at the same time.

### Connectors



## 2 CONNECT PIE-1 TO THE SIP MAIN UNIT

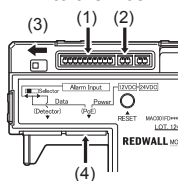


### Step 1

- (1) Prepare an appropriate Dual Gang Box.
- (2) Using an Allen key, detach the SIP base from the SIP main unit.

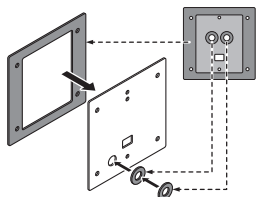
### Step 2

- (1) Plug the alarm 10-pin cable to PIE-1.
- (2) Plug the power 2-pin cable to PIE-1. Use the 12VDC connector.  
Note: When using an optional heating unit, use the 24VDC connector.
- (3) Set the Selector switch of PIE-1 to the left.
- (4) Plug a CAT5 cable to the Ethernet connector for PoE.
- (5) Place the PIE-1 into the Dual Gang Box.



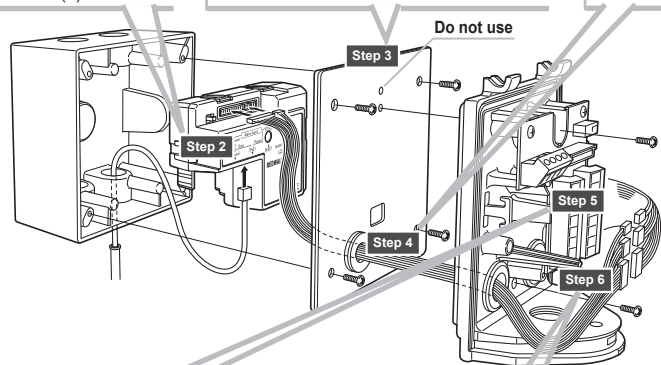
### Step 3

- (1) Take off a rectangular gasket and two round gasket from the gasket sheet.
- (2) Apply the rectangular gasket on the SIP mounting plate.
- (3) Apply the two round gaskets in layers around the round hole of the SIP mounting plate.



### Step 4

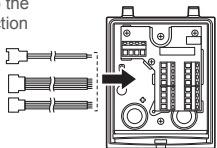
- (1) Pass the alarm 10-pin cable and the power 2-pin cable through the hole on the back of the SIP base.
- (2) Using four screws, mount the SIP mounting plate to the Gang Box.
- (3) Pass the cables through the hole on the back of the SIP base.
- (4) Using two screws, mount the SIP base to the SIP mounting plate on the Gang Box.



### Step 5

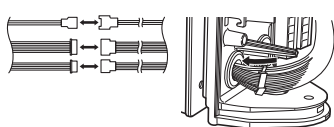
Plug the alarm 6-pin cable, the alarm 4-pin cable and the power 2-pin cable to terminals on the SIP base.

Note: Refer to the Connection Table.



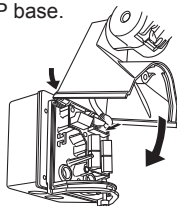
### Step 6

- (1) Connect the power and alarm cables.
- (2) If cables are too long, put the extra portions into the Gang Box.



### Step 7

Mount the SIP main unit onto the SIP base.



When the PIE-1 unit is accommodated not in Gang box, mount it in weather proof box or cabinet to avoid moisture.

## PIE-1 CONNECTION TABLE FOR SIP SERIES

Model name	Alarm 6-pin cable			Alarm 4-pin cable		Power 2-pin cable	
	Orange pair	Yellow pair	Green pair	Blue pair	Purple pair	Red	Black
SIP-100	Far	Near	Creep	Tamper	Trouble	(+)	(-)
SIP-5030, 404/5, 4010/5, 3020/5	-	Alarm	Creep	Tamper	Trouble	(+)	(-)
SIP-404, 4010, 3020	-	Alarm	-	Tamper	Trouble	(+)	(-)



Be sure to insulate the cables you are not using.

## 3 AFTER INSTALLATION

- (1) Before using PIE-1, set the IP addresses of PIE-1 and the computer in the following procedure.

The default settings of PIE-1 are as follows.  
**IP Address:** 192.168.0.126  
**Subnet Mask:** 255.255.255.0  
**Default Gateway:** 0.0.0.0

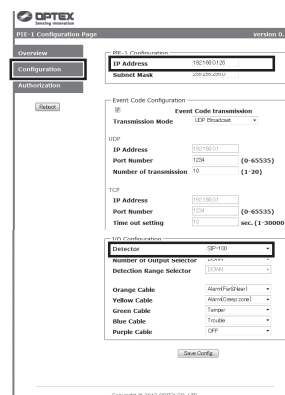
1. Set the local area connection.



An example of IP address settings

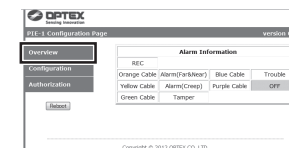
IP Address : 192.168.0.1  
 Subnet Mask : 255.255.255.0

2. Using Internet Explorer, access the site below. (<http://192.168.0.126/>)
3. Enter the user ID and the password below.  
 User ID: PIE-1  
 Password: OPTEX
4. Change the IP address if necessary.
5. Select the detector you have connected.



6. After changing settings. Click "Save Config" button.

7. Click "Overview" button. Confirm the settings in the Overview screen.



Download the detailed instructions at our site. (<http://www.optex.co.jp/e/redwall/download/index.html>)

- (2) Confirm the output of the Event Code, and set VMS/NVR.
- (3) After setting VMS/NVR, conduct a walk test.

## 4 RESETTING

If you forget the IP address you have set, reset it to obtain the default IP address in the following procedure.

1. Pull off the cable connected to the Ethernet connector for PoE. PIE-1 turns off.
2. While pressing the RESET button, connect the cable to the Ethernet connector for PoE again. PIE-1 turns on.
3. Keep pressing the RESET button until the green and yellow LEDs both go off. (They go off within ten seconds.)
4. Release the RESET button. The software restarts, and PIE-1 obtains the default IP address.

