

RisControl

Installation Instructions



Model: RP432KPT



Contents

RisControl Mounting

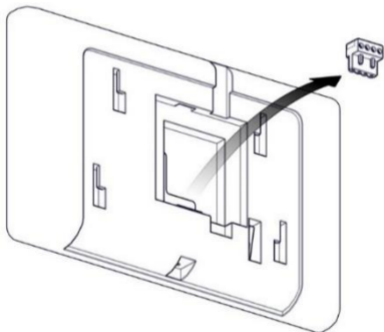
Page 3

RisControl Setup

	Page
EN	13
IT	18
ES	23
FR	28
PR	33
NL	38

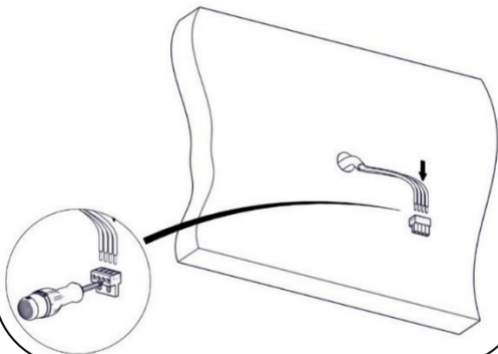
**RisControl Mounting / RisControl – Installazione /
Montaje de RisControl / Montage du RisControl /
Instalação do RisControl / RisControl Bevestiging**

Step 1 / Passo 1 / Paso 1 / Étape 1 / Stap 1



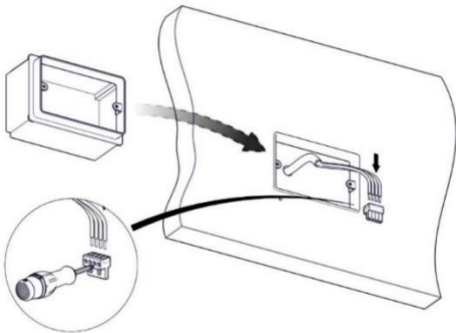
Step 2 / Passo 2 / Paso 2 / Étape 2 / Stap 2

**Wall Installation / Installazione a parete / Instalación en pared /
Installation murale / Instalação na parede / Wandinstallatie**

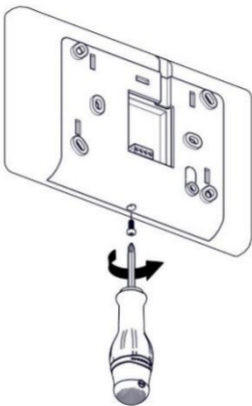


OR / O / O BIEN / OU / OF

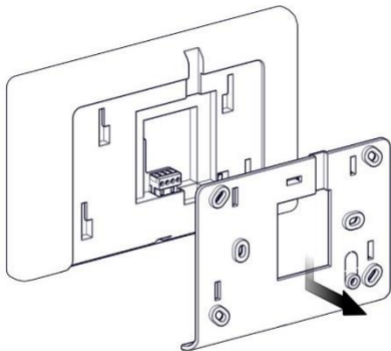
**3 Gang Flush Mounting Box Installation /
3 Installazione scatola di montaggio ad incasso /
Instalación empotrada de caja eléctrica triple /
Installation dans un boîtier d'encastrement de type 3-Gang /
Instalação em caixa de embutir tripla / Inbouwdoos Installatie**



Step 3 / Passo 3 / Paso 3 / Étape 3 / Stap 3

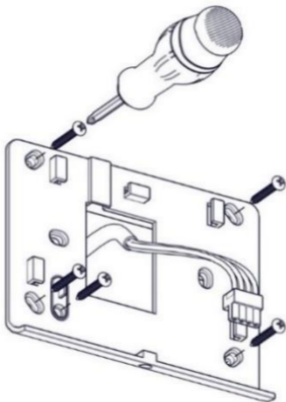


Step 4 / Passo 4 / Paso 4 / Étape 4 / Stap 4



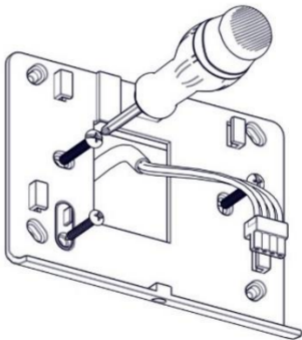
Step 5 / Passo 5 / Paso 5 / Étape 5 / Stap 5

**Wall Installation / Installazione a parete / Instalación en pared /
Installation Murale / Instalação na parede / Wandinstallatie**

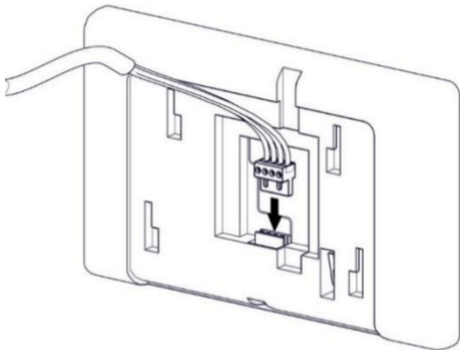


OR / O / O BIEN / OU

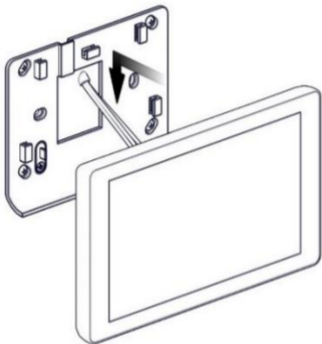
**3 Gang Flush Mounting Box Installation /
3 Installazione scatola di montaggio ad incasso /
Instalación empotrada de caja eléctrica triple /
Installation dans un boîtier d'encastrement de type 3-Gang /
Instalação em caixa de embutir tripla /
Inbouwdoos Installatie**



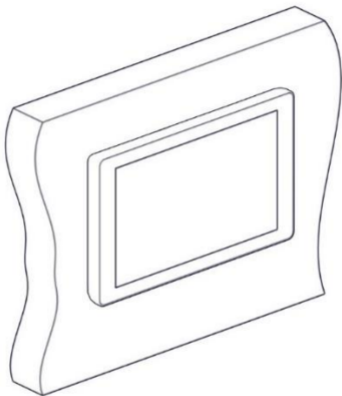
Step 6 / Passo 6 / Paso 6 / Étape 6 / Stap 6



Step 7 / Passo 7 / Paso 7 / Étape 7 / Stap 7

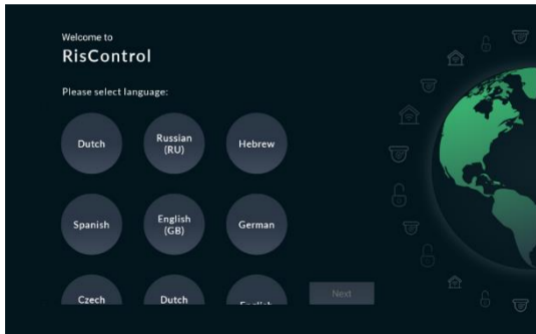


Final / Risultato finale / Installation terminée / Einde

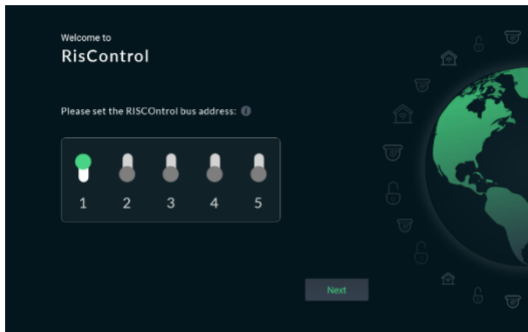


RisControl Setup

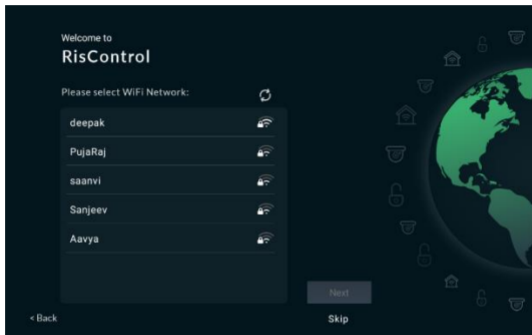
Step 1 – Select Language



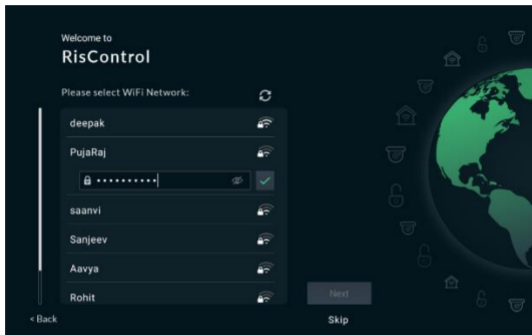
Step 2 – Set the Bus Address (Virtual DIP Switch)



Step 3a – Select a Wi-Fi Network (optional)

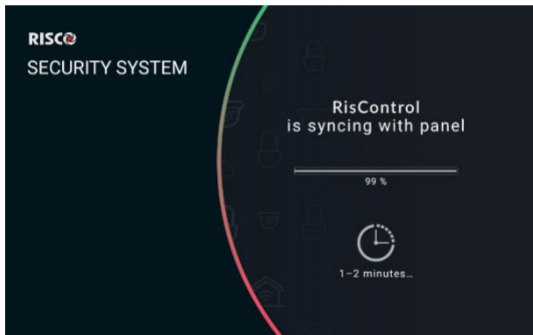


Step 3b – Enter Password



Step 4 – Synchronize the RisControl with the Security Setup

Using the Configuration Software (CS) or a regular keypad, perform a Security System scan on the RS-485 bus for new devices to allow the RisControl to connect to the Security System and begin synchronization.



Refer also to the RisControl User Manual which you can download from the RISCO website

Impostazione RisControl

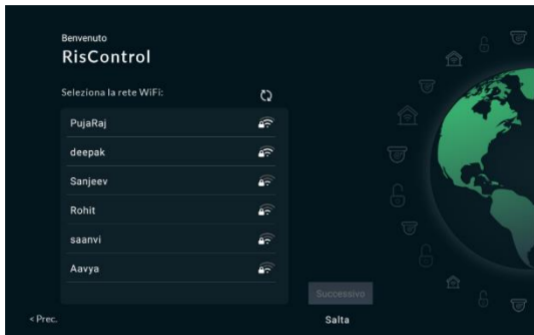
Passo 1 – Seleziona la lingua



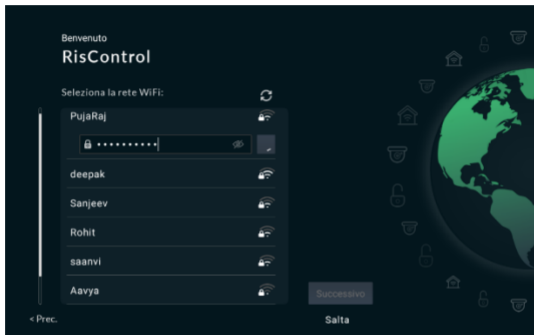
Passo 2 – Imposta l'indirizzo per il BUS (Microinterruttori virtuali)



Passo 3a – Seleziona una rete Wi-Fi (opzionale)

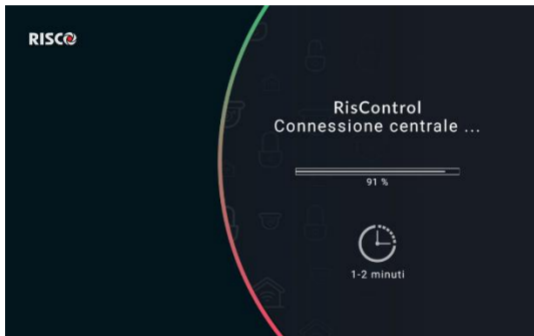


Passo 3b – Inserisci la password della rete Wi-Fi



Passo 4 – Sincronizzazione RisControl e il sistema di sicurezza

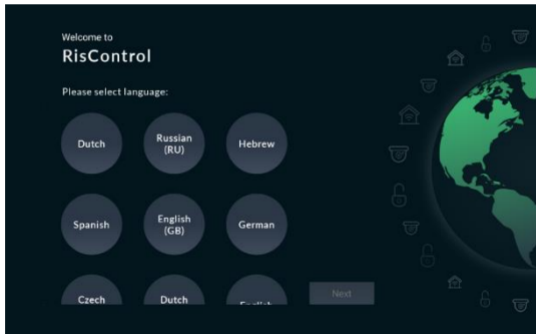
Usando il software di configurazione CS o una tastiera standard, effettua l'auto-configurazione BUS del sistema per rilevare i nuovi dispositivi e permettere alla RisControl di sincronizzarsi con il sistema di sicurezza.



Fare riferimento anche al Manuale utente di RisControl che è possibile scaricare dal sito web RISCO

Configuración de RisControl

Paso 1: Elegir el idioma



Paso 2: Configurar la dirección BUS (interruptor DIP virtual)

Bienvenido a
RisControl

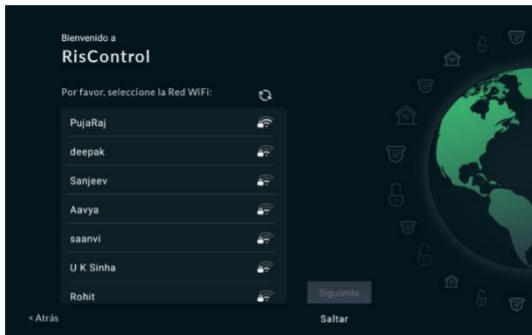
Por favor, configure la dirección del bus RISControl: ⌂

<input checked="" type="radio"/>	<input type="radio"/>	<input type="radio"/>	<input type="radio"/>	<input type="radio"/>
1	2	3	4	5

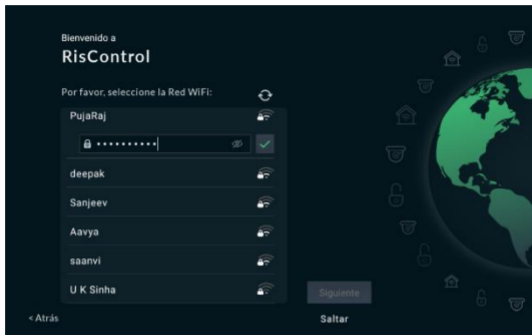
Siguiente



Paso 3a: Seleccionar una red Wi-Fi (opcional)

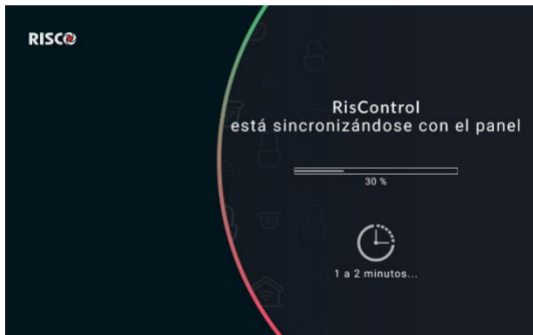


Paso 3b: Introducir la contraseña



Paso 4: Sincronizar RisControl con los ajustes de seguridad

Con ayuda del software de configuración (CS) o un teclado estándar, haga un barrido de sistema de seguridad en el BUS RS-485 para permitir que RisControl se conecte al sistema de seguridad y comience la sincronización.



Consulte también el Manual de Usuario de RisControl que puede descargar del sitio web de RISCO

FR

Configuration du RisControl

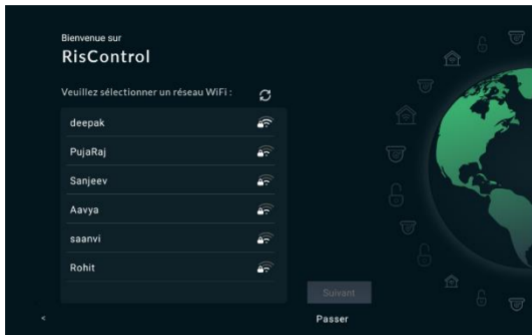
Étape 1 – Sélectionnez la langue



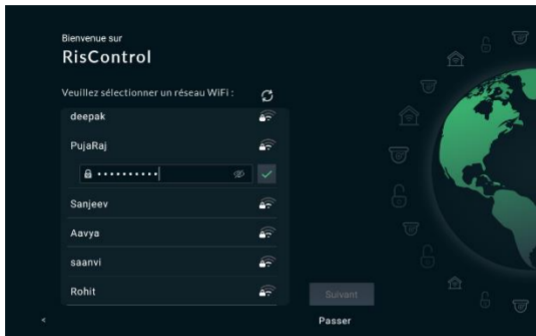
Étape 2 – Définissez l'adresse du bus (DIP Switch virtuel)



Étape 3a – Sélectionnez un réseau Wi-Fi (facultatif)

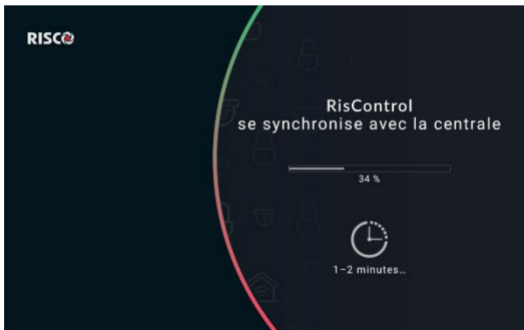


Étape 3b – Saisissez le mot de passe



Étape 4 – Synchronisez le RisControl avec le système de sécurité

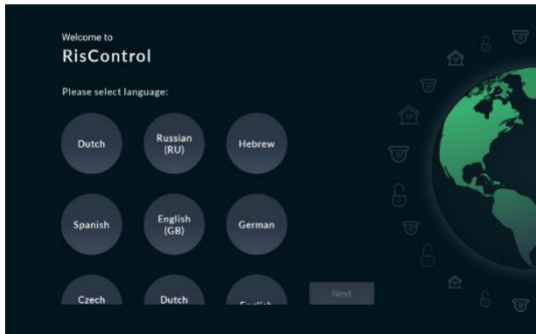
À l'aide du logiciel de configuration (CS) ou d'un clavier standard, réalisez un scan du Bus RS-485 du Système de Sécurité pour rechercher les nouveaux accessoires, afin de permettre au RisControl de se connecter au Système de Sécurité et qu'il commence sa synchronisation.



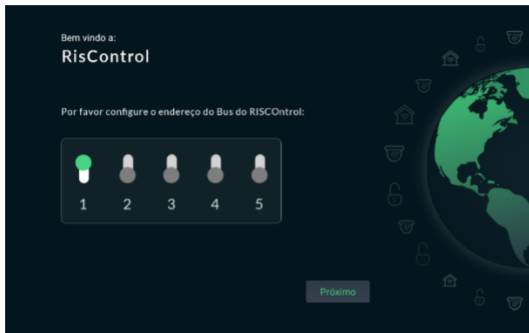
Reportez-vous également au manuel d'utilisation du RisControl, téléchargeable sur le site web RISCO

Configuração do RisControl

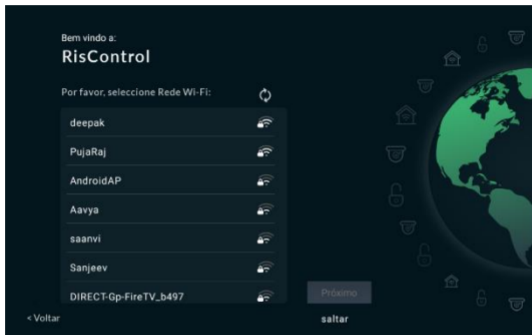
Passo 1 – Seleção o idioma



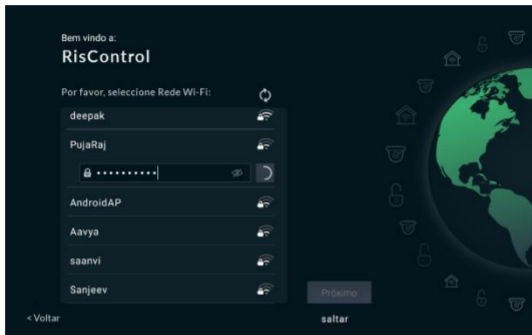
Passo 2 – Defina o endereço do BUS (chave DIP virtual)



Passo 3a – Selezione uma rede Wi-Fi (opcional)

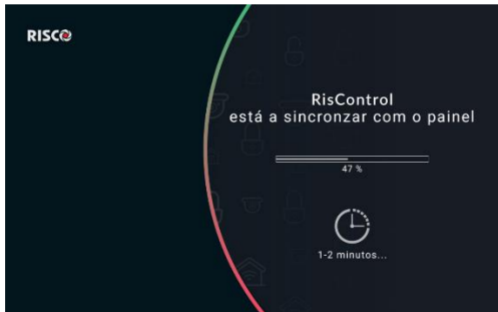


Passo 3b – Digite a senha



Passo 4 – Sincronize o RisControl com a instalação de segurança

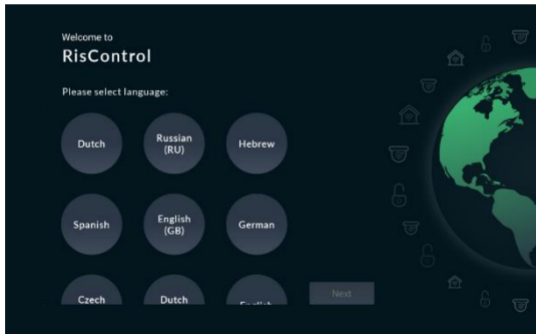
Utilizando o software de configuração (CS) ou um teclado normal, execute uma autoconfiguração do sistema de segurança ao Bus RS-485 para procurar novos dispositivos e permitir que o RisControl se conecte ao sistema de segurança e inicie a sincronização.



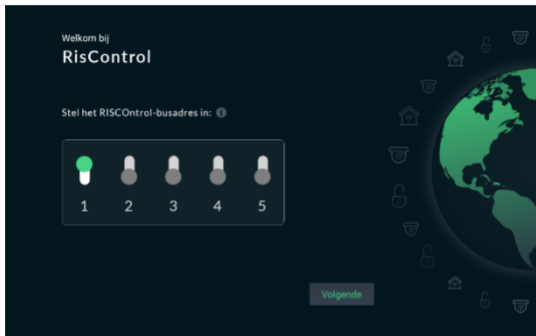
Também pode consultar ou descarregar o Manual de utilizador do RisControl, através da página web do RISCO Group

RisControl Setup

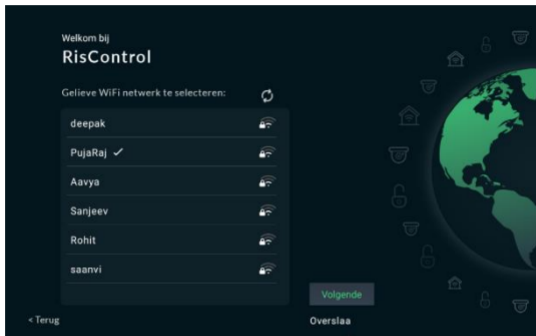
Stap 1 – Kies uw taal



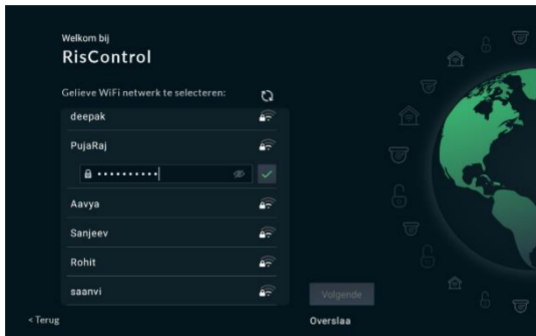
Stap 2 – Stel het busadres in (Virtual DIP Switch)



Stap 3a – Selecteer een Wi-Fi-netwerk (optioneel)

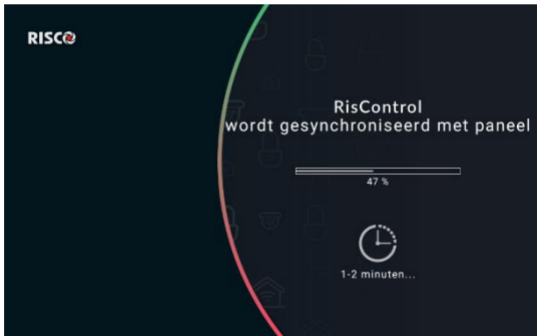


Stap 3b – Voer het wachtwoord in



Stap 4 – Synchroniseer de RisControl met de Security Setup

Voer met behulp van de configuratiesoftware (CS) of een gewoon bediendeel een Security System-scan uit op de RS-485-bus voor nieuwe apparaten, zodat de RisControl verbinding kan maken met het paneel en de synchronisatie kan beginnen.



Zie ook de RisControl gebruikershandleiding welke u kan downloaden via de RISCO website

RED Compliance Statement:

Hereby, RISCO Group declares that this equipment complies with the essential requirements and other relevant provisions of Directive 2014/53/EU. For the CE Declaration of Conformity please refer to our website: www.riscogroup.com.

Dichiarazione di Conformità RED:

La sottoscritta RISCO Group, dichiara sotto la propria responsabilità che questo prodotto è conforme ai requisiti essenziali e alle altre rilevanti disposizioni della Direttiva Europea 2014/53/EU.

Per le Dichiarazioni di Conformità CE, visitate il nostro sito web:
www.riscogroup.com.

Declaración de Conformidad RED :

Por la presente, RISCO Group declara que este equipo cumple con los requisitos esenciales y otras disposiciones relevantes de la Directiva 2014/53/EU. Para la Declaración de Conformidad CE, por favor dirijase a nuestra web:
www.riscogroup.com.

Rapport de Conformité de RED:

Par la présente, RISCO Group, déclare cet équipement est en conformité aux conditions essentielles et à d'autres dispositions appropriées de la directive 2014/53/EU. Vous pouvez trouver la copie complète de la déclaration de conformité à la directive 2014/53/EU sur notre site web, à l'adresse suivante :
www.riscogroup.com.

Declaração de conformidade RED:

Por meio deste, o RISCO Group declara que o seu equipamento está em conformidade com as necessidades essenciais e outras provisões relevantes da diretiva 2014/53/EU. Para ver a declaração de conformidade CE, por favor consulte o nosso website: www.riscogroup.com.

RED conformiteitsverklaring:

RISCO Group bevestigt dat dit product in lijn is met de essentiële verplichtingen en andere belangrijke voorzieningen van de 2014/53/EU richtlijnen. Voor de conformiteitsverklaring zie onze website: www.riscogroup.com.

Complies with:

EN50131-3, Grade3 Environmental Class II, PD 6662:2017

FCC ID:JE4RP432KPT

Standard Limited Product Warranty (“Limited Warranty”)

RISCO Ltd. (“RISCO”) guarantee RISCO’s hardware products (“Products”) to be free from defects in materials and workmanship when used and stored under normal conditions and in accordance with the instructions for use supplied by RISCO, for a period of (i) 24 months from the date of delivery of the Product (the “Warranty Period”). This Limited Warranty covers the Product only within the country where the Product was originally purchased and only covers Products purchased as new.

Contact with customers only. This Limited Warranty is solely for the benefit of customers who purchased the Products directly from RISCO or from an authorized distributor of RISCO. RISCO does not warrant the Product to consumers and nothing in this Warranty obligates RISCO to accept Product returns directly from end users who purchased the Products for their own use from RISCO’s customer or from any installer of RISCO, or otherwise provide warranty or other services to any such end user directly. RISCO’s authorized distributor or installer shall handle all interactions with its end users in connection with this Limited Warranty. RISCO’s authorized distributor or installer shall make no warranties, representations, guarantees or statements to its end users or other third parties that suggest that RISCO has any warranty or service obligation to, or any contractual privity with, any recipient of a Product.

Remedies. In the event that a material defect in a Product is discovered and reported to RISCO during the Warranty Period, RISCO shall accept return of the defective Product in accordance with the below RMA procedure and, at its option, either (i) repair or have repaired the defective Product, or (ii) provide a replacement product to the customer.

Return Material Authorization. In the event that you need to return your Product for repair or replacement, RISCO will provide you with a Return Merchandise Authorization Number (RMA#) as well as return instructions. Do not return your Product without prior approval from RISCO. Any Product returned without a valid, unique RMA# will be refused and returned to the sender at the sender's expense. The returned Product must be accompanied with a detailed description of the defect discovered ("**Defect Description**") and must otherwise follow RISCO's then-current RMA procedure published in RISCO's website at www.riscogroup.com in connection with any such return. If RISCO determines in its reasonable discretion that any Product returned by customer conforms to the applicable warranty ("**Non-Defective Product**"), RISCO will notify the customer of such determination and will return the applicable Product to customer at customer's expense. In addition, RISCO may propose and assess customer a charge for testing and examination of Non-Defective Product.

Entire Liability. The repair or replacement of Products in accordance with this Limited Warranty shall be RISCO's entire liability and customer's sole and exclusive remedy in case a material defect in a Product is discovered and reported as required herein. RISCO's obligation and this Limited Warranty are contingent upon the full payment by customer for such Product and upon a proven weekly testing and examination of the Product functionality.

Limitations. This Limited Warranty is the only warranty made by RISCO with respect to the Products. The warranty is not transferable to any third party. To the maximum extent permitted by applicable law, this Limited Warranty shall not apply and will be void if: (i) the conditions set forth above are not met (including, but not limited to, full payment by customer for the Product and a proven weekly testing and examination of the Product functionality); (ii) if the Products or any part or component thereof: (a) have been subjected to improper operation or installation; (b) have been subject to neglect, abuse, willful damage, abnormal working conditions, failure to follow RISCO's instructions (whether oral or in writing); (c) have been misused, altered, modified or repaired without RISCO's written approval or combined with, or installed on products, or equipment of the customer or of any third party; (d) have been damaged by any factor beyond RISCO's reasonable control such as, but not limited to, power failure, electric power surges, or unsuitable third party components and the interaction of software therewith or (e) any failure or delay in the performance of the Product attributable to any means of

communication provided by any third party service provider, including, but not limited to, GSM interruptions, lack of or internet outage and/or telephony failure. BATTERIES ARE EXPLICITLY EXCLUDED FROM THE WARRANTY AND RISCO SHALL NOT BE HELD RESPONSIBLE OR LIABLE IN RELATION THERETO, AND THE ONLY WARRANTY APPLICABLE THERETO, IF ANY, IS THE BATTERY MANUFACTURER'S WARRANTY. RISCO does not install or integrate the Product in the end user's security system and is therefore not responsible for and cannot guarantee the performance of the end user's security system which uses the Product or which the Product is a component of.

This Limited Warranty applies only to Products manufactured by or for RISCO. Further, this Limited Warranty does not apply to any software (including operating system) added to or provided with the Products or any third-party software, even if packaged or sold with the RISCO Product. Manufacturers, suppliers, or third parties other than RISCO may provide their own warranties, but RISCO, to the extent permitted by law and except as otherwise specifically set forth herein, provides its Products "AS IS". Software and applications distributed or made available by RISCO in conjunction with the Product (with or without the RISCO brand), including, but not limited to system software, as well as P2P services or any other service made available by RISCO in relation to the Product, are not covered under this Limited Warranty. Refer to the Terms of Service at: www.riscogroup.com/warranty for details of your rights and obligations with respect to the use of such applications, software or any service. RISCO does not represent that the Product may not be compromised or circumvented; that the Product will prevent any personal injury or property loss by burglary, robbery, fire or otherwise, or that the Product will in all cases provide adequate warning or protection. A properly installed and maintained alarm may only reduce the risk of a burglary, robbery or fire without warning, but it is not insurance or a guarantee that such will not occur or will not cause or lead to personal injury or property loss. CONSEQUENTLY, RISCO SHALL HAVE NO LIABILITY FOR ANY PERSONAL INJURY, PROPERTY DAMAGE OR OTHER LOSS BASED ON ANY CLAIM AT ALL INCLUDING A CLAIM THAT THE PRODUCT FAILED TO GIVE WARNING.

EXCEPT FOR THE WARRANTIES SET FORTH HEREIN, RISCO AND ITS LICENSORS HEREBY DISCLAIM ALL EXPRESS, IMPLIED OR STATUTORY, REPRESENTATIONS, WARRANTIES, GUARANTEES, AND CONDITIONS WITH REGARD TO THE

PRODUCTS, INCLUDING BUT NOT LIMITED TO ANY REPRESENTATIONS, WARRANTIES, GUARANTEES, AND CONDITIONS OF MERCHANTABILITY, FITNESS FOR A PARTICULAR PURPOSE, TITLE AND WARRANTIES AGAINST HIDDEN OR LATENT DEFECTS, TO THE EXTENT PERMITTED BY LAW. WITHOUT LIMITING THE GENERALITY OF THE FOREGOING, RISCO AND ITS LICENSORS DO NOT REPRESENT OR WARRANT THAT: (i) THE OPERATION OR USE OF THE PRODUCT WILL BE TIMELY, SECURE, UNINTERRUPTED OR ERROR-FREE; (ii) THAT ANY FILES, CONTENT OR INFORMATION OF ANY KIND THAT MAY BE ACCESSED THROUGH THE PRODUCT SHALL REMAIN SECURED OR NON DAMAGED. CUSTOMER ACKNOWLEDGES THAT NEITHER RISCO NOR ITS LICENSORS CONTROL THE TRANSFER OF DATA OVER COMMUNICATIONS FACILITIES, INCLUDING THE INTERNET, GSM OR OTHER MEANS OF COMMUNICATIONS AND THAT RISCO'S PRODUCTS, MAY BE SUBJECT TO LIMITATIONS, DELAYS, AND OTHER PROBLEMS INHERENT IN THE USE OF SUCH MEANS OF COMMUNICATIONS. RISCO IS NOT RESPONSIBLE FOR ANY DELAYS, DELIVERY FAILURES, OR OTHER DAMAGE RESULTING FROM SUCH PROBLEMS. RISCO WARRANTS THAT ITS PRODUCTS DO NOT, TO THE BEST OF ITS KNOWLEDGE, INFRINGE UPON ANY PATENT, COPYRIGHT, TRADEMARK, TRADE SECRET OR OTHER INTELLECTUAL PROPERTY RIGHT IN ANY EVENT RISCO SHALL NOT BE LIABLE FOR ANY AMOUNTS REPRESENTING LOST REVENUES OR PROFITS, PUNITIVE DAMAGES, OR FOR ANY OTHER INDIRECT, SPECIAL, INCIDENTAL, OR CONSEQUENTIAL DAMAGES, EVEN IF THEY WERE FORESEEABLE OR RISCO HAS BEEN INFORMED OF THEIR POTENTIAL.

Contacting RISCO

RISCO Group is committed to customer service and Product support. You can contact us through our website (www.riscogroup.com) or at the following telephone and fax numbers:

United Kingdom

Tel: +44-(0)-161-655-5500
support-uk@riscogroup.com

Italy

Tel: +39-02-66590054
support-it@riscogroup.com

Spain

Tel: +34-91-490-2133
support-es@riscogroup.com

France

Tel: +33-164-73-28-50
support-fr@riscogroup.com

Belgium (Benelux)

Tel: +32-2522-7622
support-be@riscogroup.com

USA

Tel: +1-631-719-4400
support-usa@riscogroup.com

China

Tel: +86-755-82789285
support-cn@riscogroup.com

Israel

Tel: +972-3-963-7777
support@riscogroup.com



All rights reserved.

No part of this document may be reproduced in any form without prior written permission from the publisher.

© RISCO Group, 04/2021. All rights reserved.

5IN2901 C