

Mirage Dual Technology

Dual Technology Microwave & Infrared Detector

INSTALLATION INSTRUCTIONS



THANK YOU FOR VOTING TEXECOM

Ask your distributor today for the new Texecom 28 page full colour Product Guide.

Texecom

www.texe.com

QUALITY ASSURANCE



WARRANTY

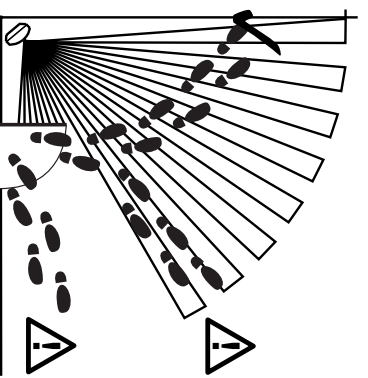
5 year replacement warranty.

The *Mirage Dual Technology* is designed to detect the movement of an intruder and activate an alarm control panel. As the *Mirage Dual Technology* is not a complete alarm system, but only a part thereof, Texecom cannot accept responsibility or liability for any damages whatsoever based on a claim that the *Mirage Dual Technology* failed to function correctly.

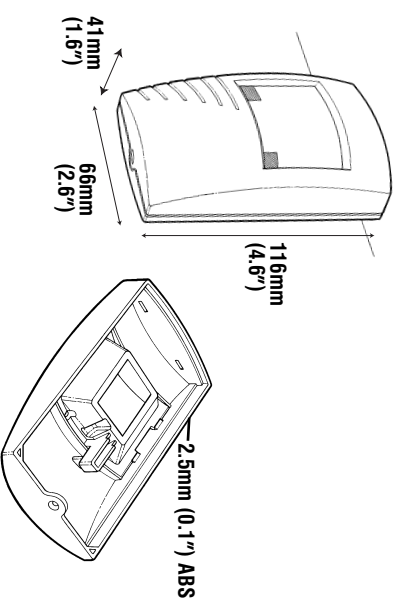
Due to our policy of continuous improvement Texecom reserves the right to change specification without prior notice.

Document Ref: MIEU20-5
© 1994 - 2001 Texecom Ltd

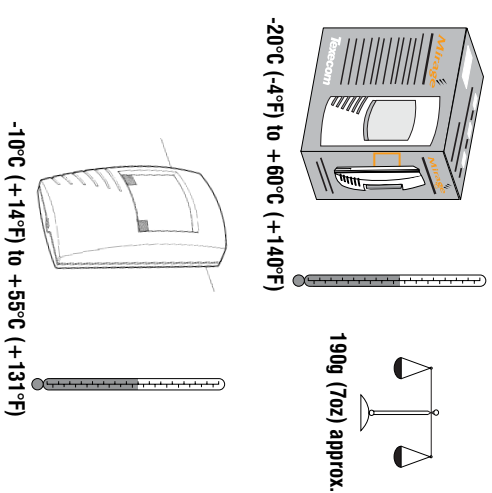
6 COVERAGE AND PICK-UP



1 PHYSICAL



2 ENVIRONMENTAL



3 FALSE ALARM PROTECTION

Design: Intelligent **Adaptive Signal Processing™ (ASP™)**. Noise reduction circuits with maximum ground plane.

Electrostatic Discharge: No false alarm up to 8kV air. Complies with IEC 1000-4-2.

RF Immunity: No false alarm from 150kHz to 1GHz at 10V/m 100% pulsed modulation. 30V/m 80% sinusoidal modulation. Complies with IEC 1000-4-3. Equivalent to a 270W uniform transmitter at 10ft (3m).

Fast Transient Immunity: No false alarm up to 4kV. Complies with IEC 1000-4-4.

RF Common Mode

Clamp: No false alarms 150kHz to 80MHz. Complies with IEC 1000-4-6.

Conducted Emissions: Complies with IEC CISPR 22.

Radiated Emissions: Complies with IEC CISPR 22, FCC Part 15.

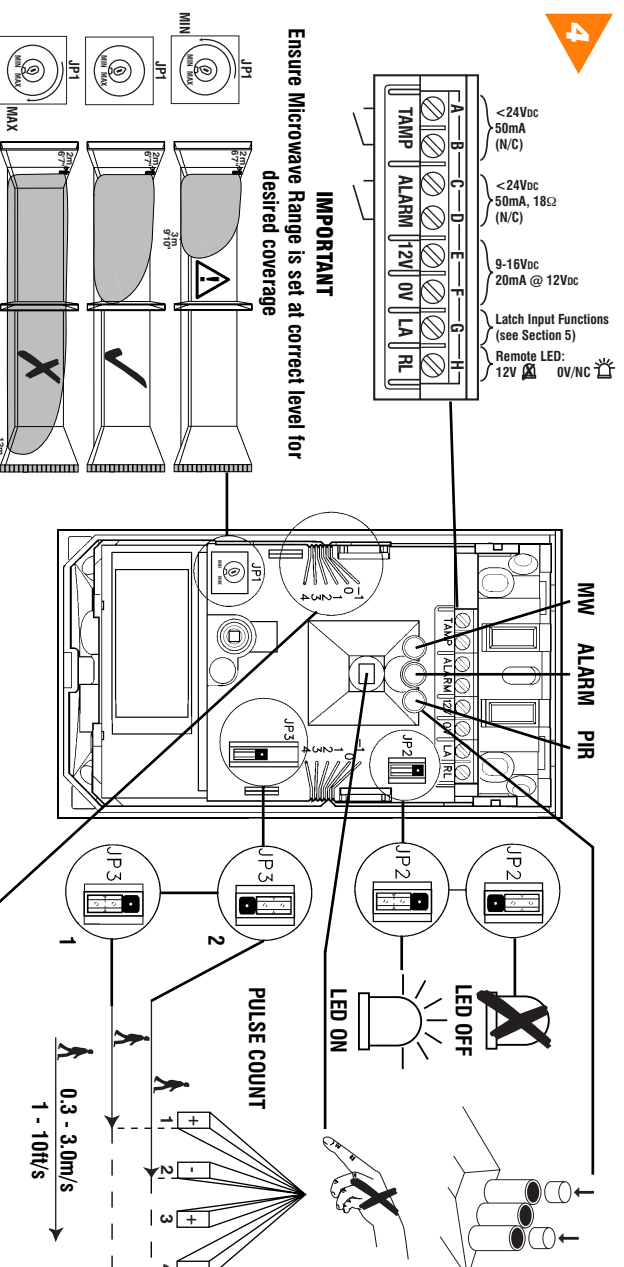
EMC: Independently certified to EN 50130-4 : 1996.

Microwave Range: Internal pot to adjust.

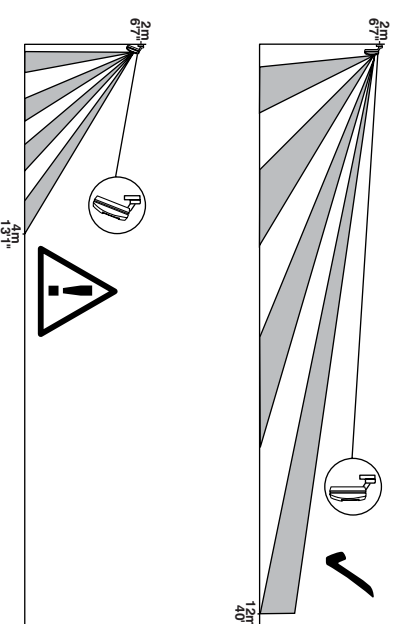
Approvals: Complies with: MPT 1349, I-ETS 300 440, FCC Part 15.

Pulse Count: Internal link to select.

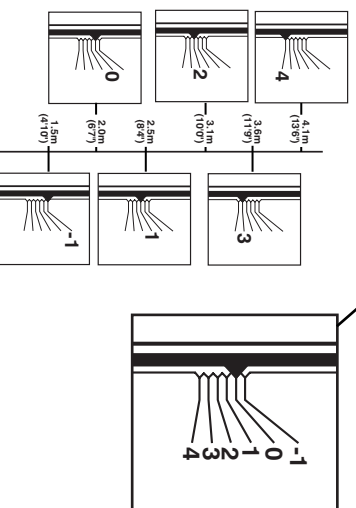
4



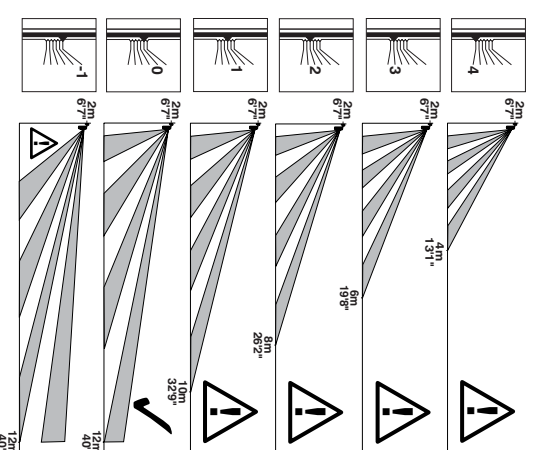
7 ANGLING THE DETECTOR



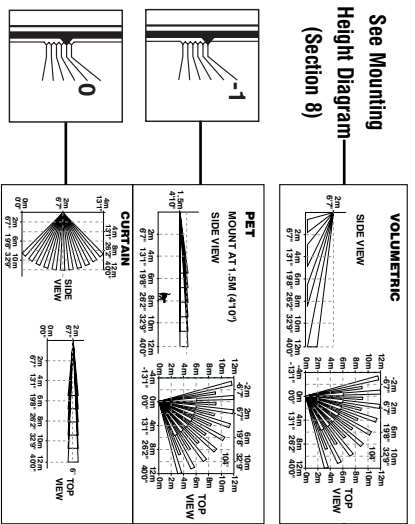
8 MOUNTING HEIGHT AND SETTINGS



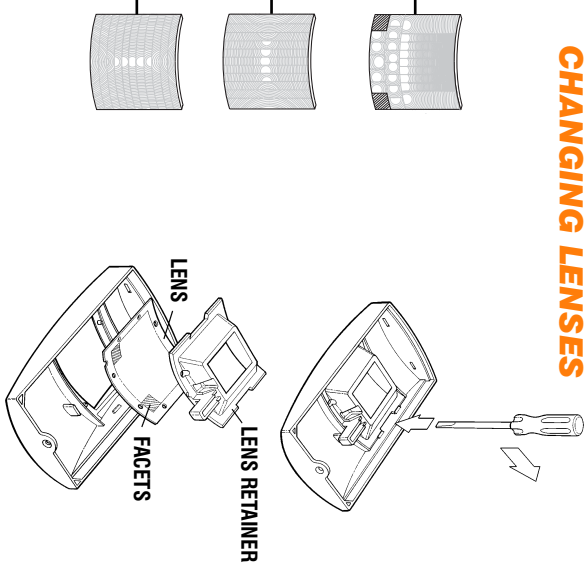
9 COVERAGE AT 2m



10 LENS SELECTION

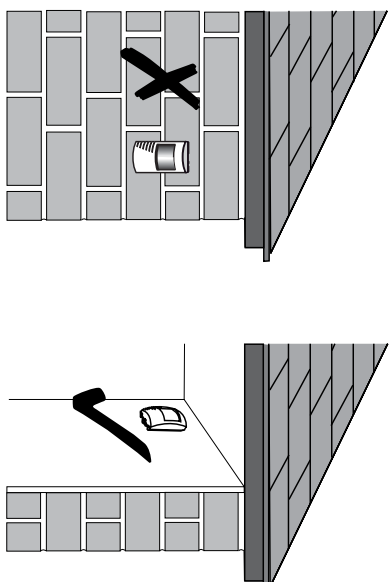


11 CHANGING LENSES



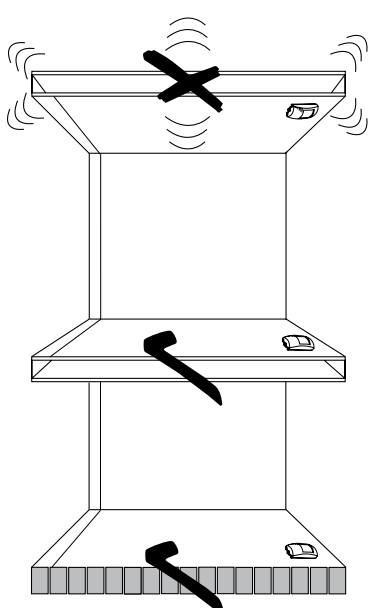
12 MOUNTING THE MIRAGE

For indoor use only



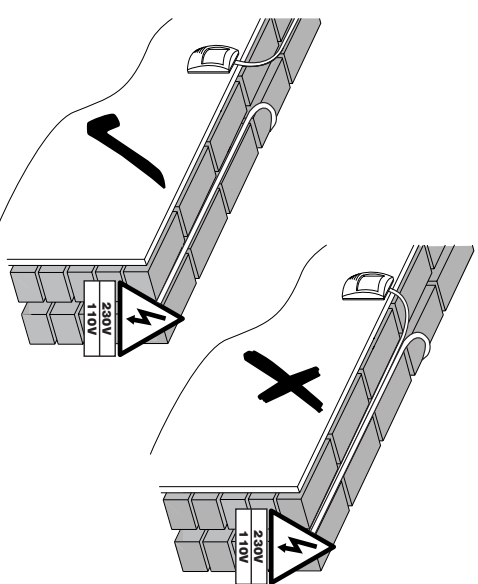
13 MOUNTING THE MIRAGE

Mount on a stable surface



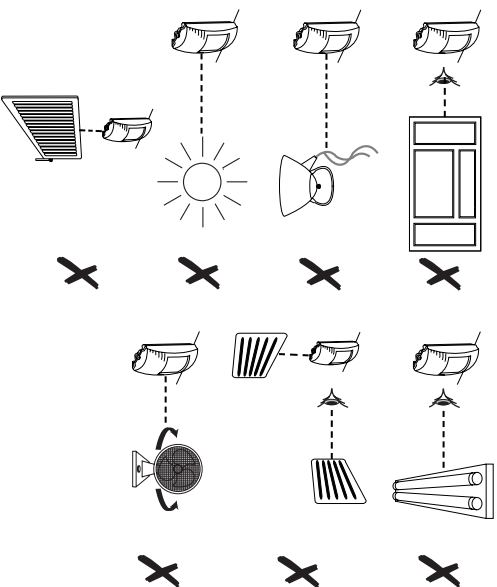
14 WIRING

Do not run cable parallel to mains wiring

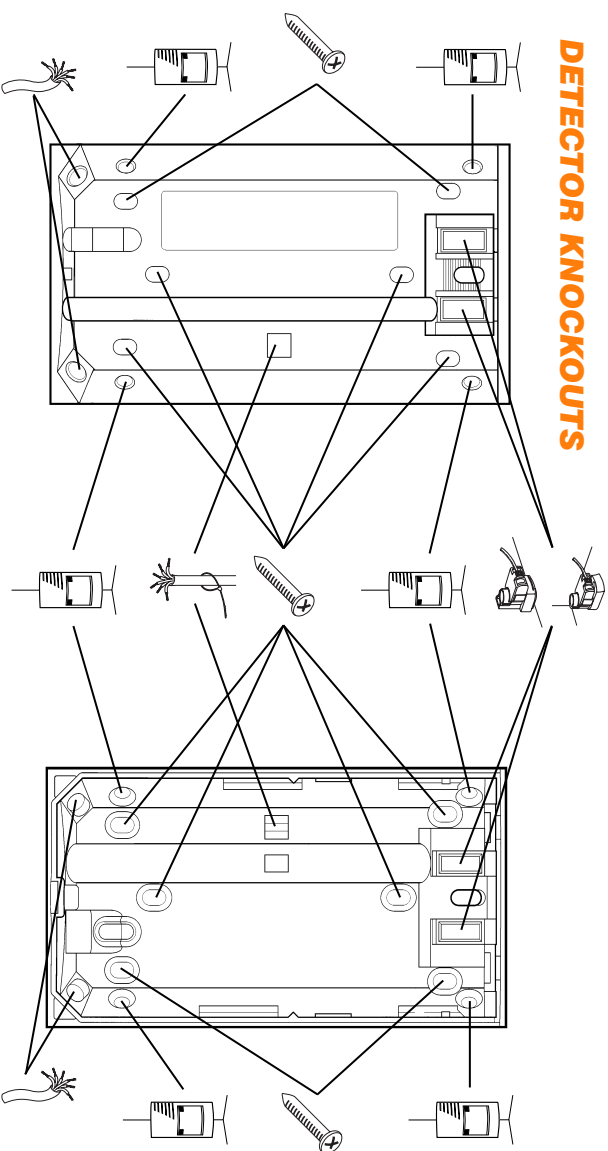


15 CHOOSING A LOCATION

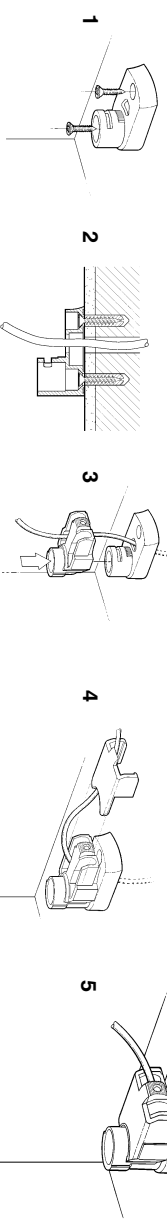
Avoid common false alarm sources



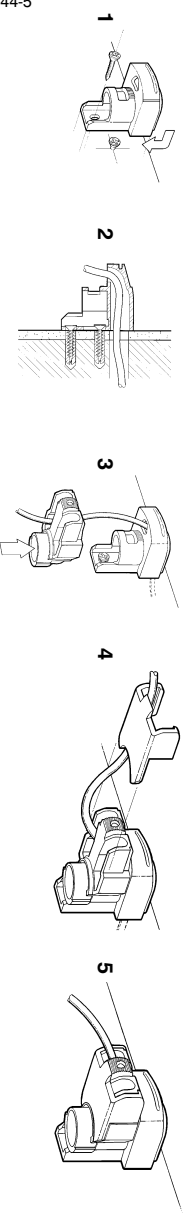
16 DETECTOR KNOCKOUTS



17 CEILING MOUNT BRACKET



18 WALL MOUNT BRACKET



19

Seal all holes

