

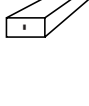
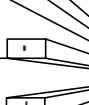
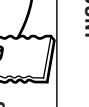
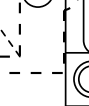
# Reflex

Passive Infrared Detector  
**INSTALLATION INSTRUCTIONS**



**Texecom**  
 www.texe.com

**QUALITY ASSURANCE**



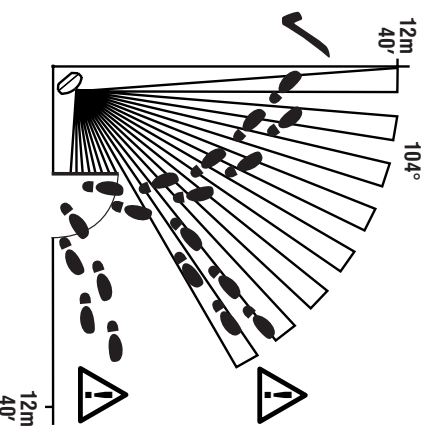
**WARRANTY**

10 year replacement warranty.

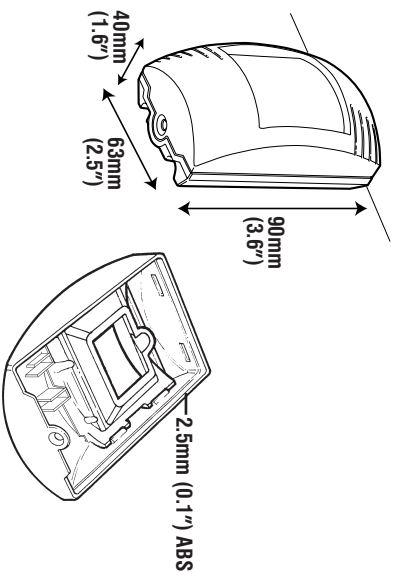
The Reflex is designed to detect the movement of an intruder and activate an alarm control panel. As the Reflex is not a complete alarm system, but only a part thereof, Texecom cannot accept responsibility or liability for any damages whatsoever based on a claim that the Reflex failed to function correctly.  
 Due to our policy of continuous improvement Texecom reserves the right to change specification without prior notice.

Document Ref: REF/EN/0-4  
 © 1994 - 2000 Texecom Ltd

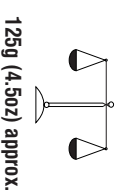
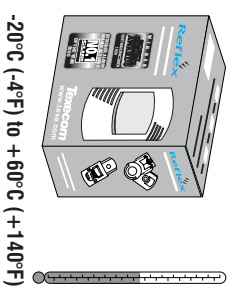
## 5 COVERAGE AND PICK-UP



## 1 PHYSICAL



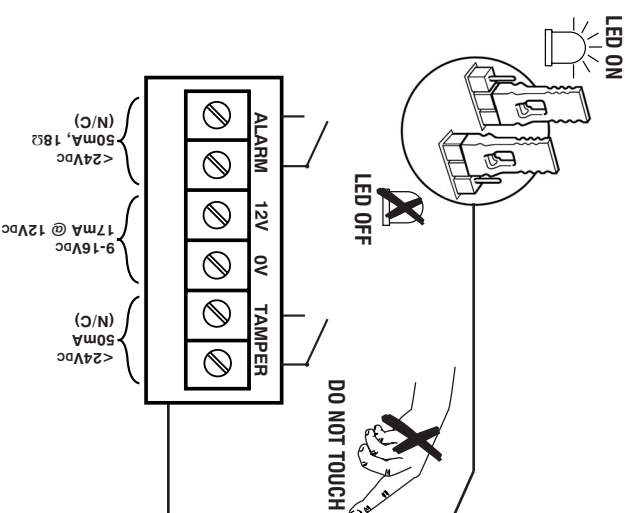
## 2 ENVIRONMENTAL



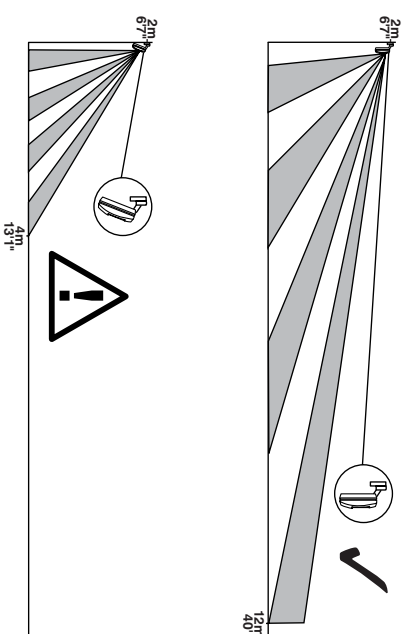
## 3 FALSE ALARM PROTECTION

- Design:** Noise reduction circuits with maximum ground plane.
- RF Immunity:** No false alarms from 80MHz to 16Hz at 50V/m, equivalent to a 700W uniform transmitter at 3m (10ft). Complies with BS EN61000-4-3:1997.
- Electrostatic Discharge:** No false alarm up to 8kV. Complies with BS EN61000-4-2:1995.
- Fast Transient Immunity:** No false alarm up to ±1kV. Complies with BS EN61000-4-4:1995.
- High Energy Transient Immunity:** No false alarm up to ±1kV. Complies with BS EN61000-4-5:1995.
- Conducted RF Susceptibility:** No false alarms at 10Vrms. Complies with BS EN61000-4-6:1996.
- Conducted Emissions:** Complies with EN55022 Class B.
- Radiated Emissions:** Complies with EN55022 Class B.
- EMC:** Independently certified to EN50130-4:1996.
- Pulse Count:** Adjustable Pulse Count. Internal link to select:

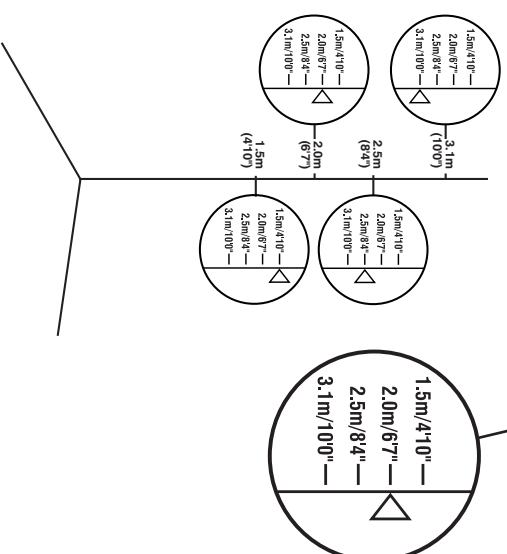
## 4



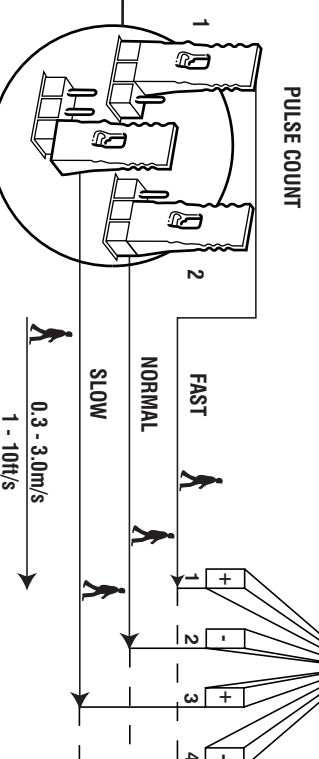
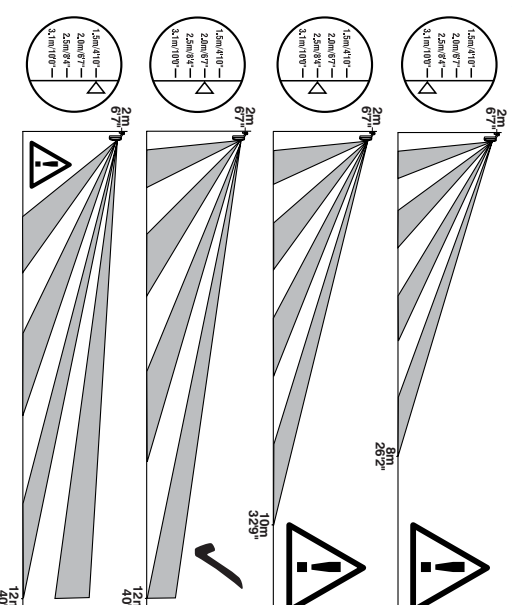
## 6 ANGLING THE DETECTOR



## 7 MOUNTING HEIGHT AND SETTINGS

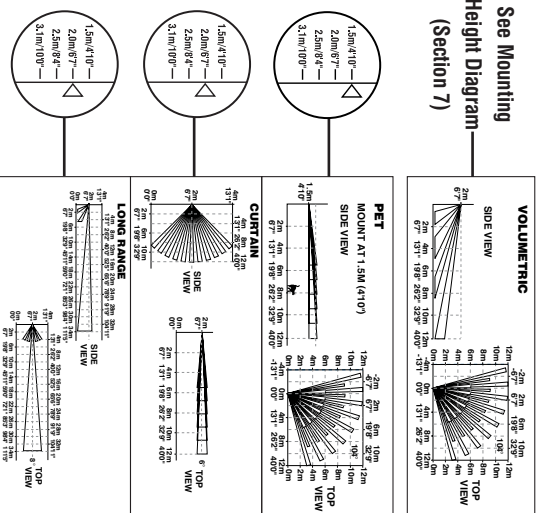


## 8 COVERAGE AT 2m

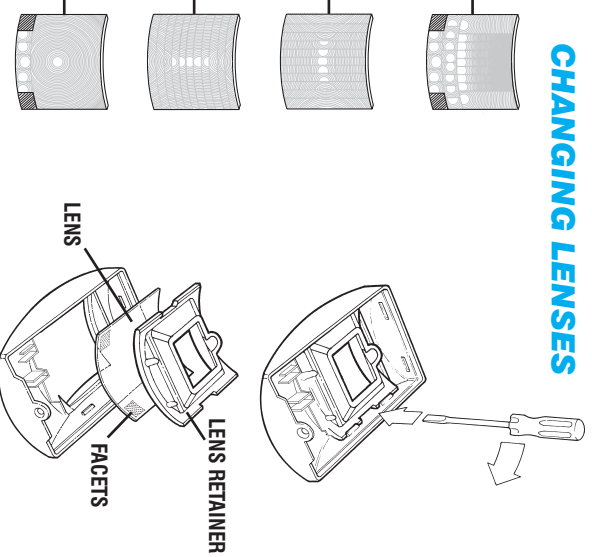


## 9 LENS SELECTION

See Mounting Height Diagram (Section 7)

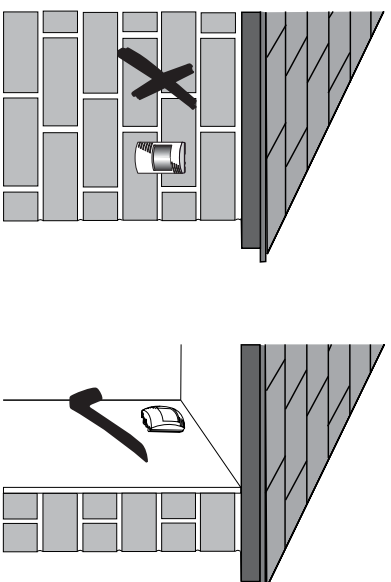


## 10 CHANGING LENSES



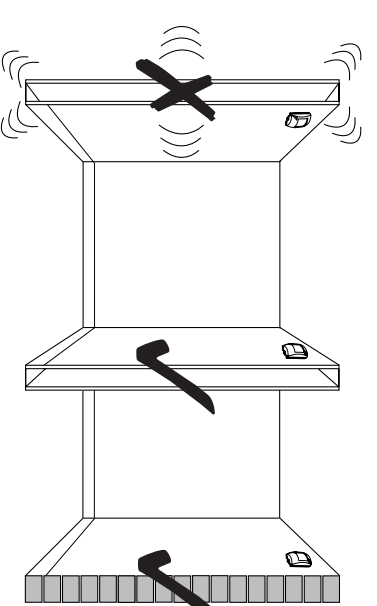
## 11 MOUNTING THE REFLEX

For indoor use only



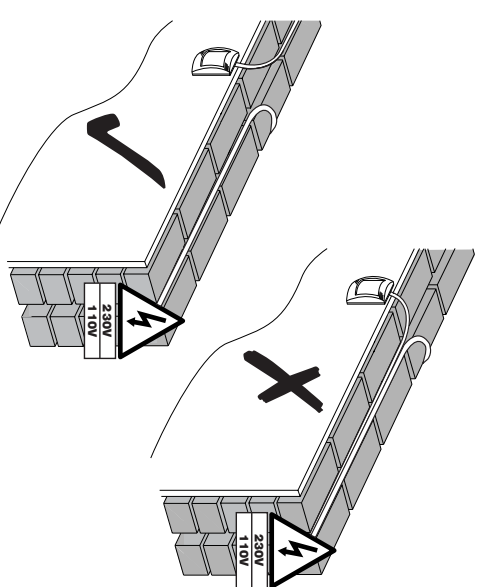
## 12 MOUNTING THE REFLEX

Mount on a stable surface



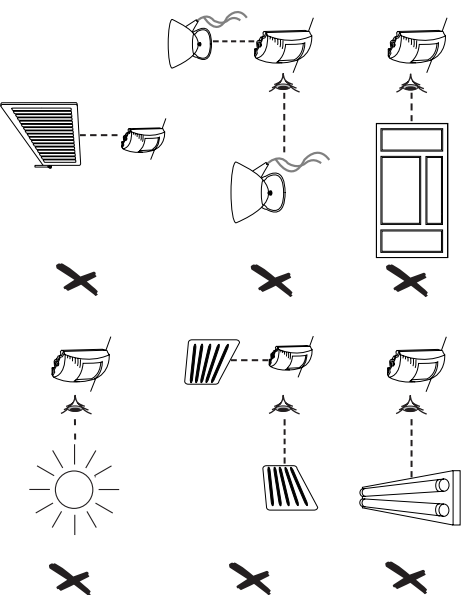
## 13 WIRING

Do not run cable parallel to mains wiring

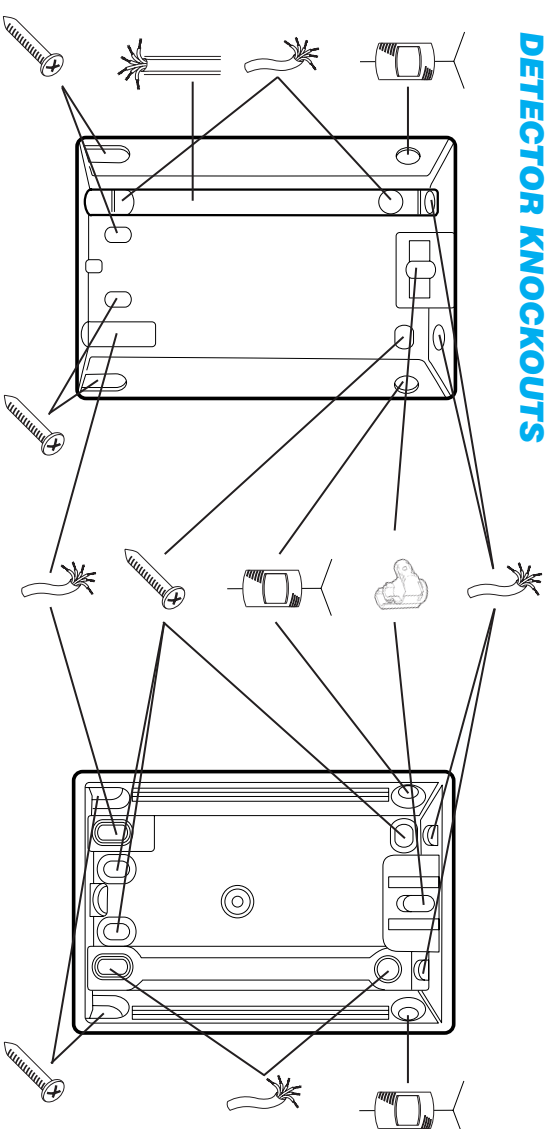


## 14 CHOOSING A LOCATION

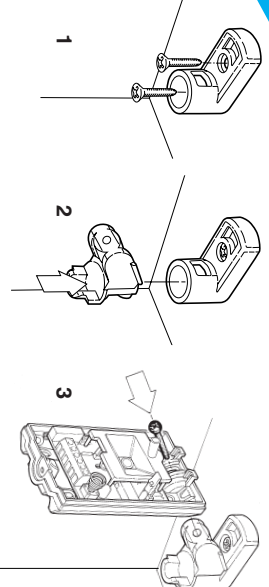
Avoid common false alarm sources



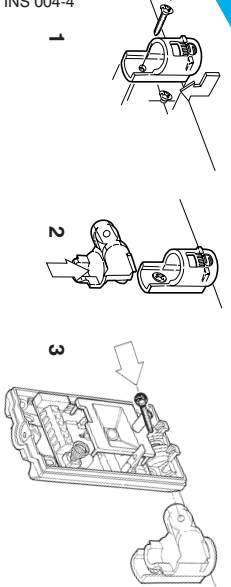
## 15 DETECTOR KNOCKOUTS



## 16 CEILING MOUNT BRACKET



## 17 WALL MOUNT BRACKET



## 18 MOUNTING WITHOUT BRACKETS

Seal all holes

