

VOICE SOUNDER SG-Wgw2 IP65



Technical data:

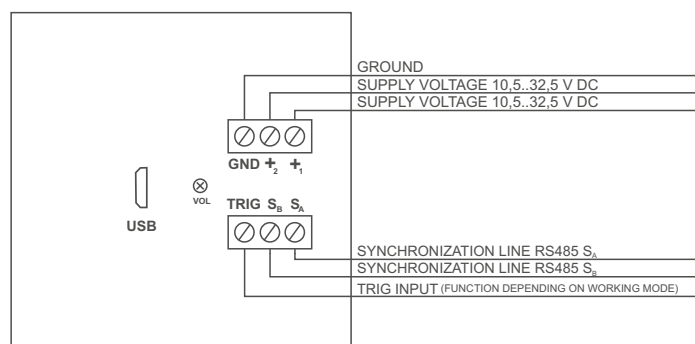
Type	voice sounder
Supply voltage	10,5-32,5 V DC
Current consumption in off state	<40 mA
Current consumption in on state	<260 mA*
Power consumption in on state	<6,24 W*
Sound output at 1m	>90 dB*
Flash frequency	not applicable
Flash time	not applicable
Time between flashes	not applicable
Device category	not applicable
Device type	indoor
Working temperature	from -10°C to +55°C
Ingress protection (IP code)	IP65
Mechanical resistance (IK code)	IK07
Max. cross section	2,5 mm ²
Dimensions	142x122x73 mm
Weight	~655 g

*for $U_z=24$ V DC, $f=1$ kHz sinus

Product description:

- Wide range of supply voltage 10,5-32,5 V.
- Simple addressing of alarm sequences.
- 5 different working modes.
- Ability to play own voice messages and sounds .
- Plays *.wav and *.mp3 files.
- 4MB built-in memory.
- Adjustable volume (potentiometer).
- Backwards compatible with SG-Wgw, SG-Wgw IP65 (*.bw2 files).
- Solid housing - mechanical resistance IK07.
- Synchronization option (RS-485).
- Cooperates with MA-01.

Connection scheme:



VOL - volume control potentiometer
USB - communication port

Synchronization example:

